

# Z-Wave™ Z-Wave Universal Dimmer

## APPLICATION

The Z-Wave Universal Dimmer features the latest generation of Leviton's dimming technology for the Vizia RF+ family of Z-Wave energy management and lighting control products. Designed for the future, it supports dimmable LED and CFL technologies, and includes support for legacy incandescent, halogen, Mark 10, and magnetic lighting loads. In addition to universal lighting support, the VRMX1 provides support for state-of-the-art Z-Wave commands including security, network wide inclusion, and beaming.

The highly advanced Vizia RF+ device provides two-way feedback, is scene capable, includes 49 different fade rates and features user pre-sets for powering on and minimum brightness.

Featuring Leviton's Decora brand design, the VRMX1 blends into any home or apartment. The switches showcase innovative styling with a horizontal LED locator and brightness indicator bar. Additionally, two robust snap-in color change kit options are included for ultimate in flexibility and future proof design.

The Leviton VRMX1 is universally supported by most security systems with Z-Wave energy management technology, including Leviton's popular Omni automation systems. It is also optimized for use with Z-Wave door locks.

## FEATURES AND BENEFITS

- Rated for CFL and LED loads up to 450W
- Rated for incandescent and halogen loads up to 1000W
- Rated for magnetic low voltage loads up to 1000VA
- Rated for fluorescent ballast loads up to 1000VA
- Local and remote dimming from Leviton Vizia RF+ or other Z-Wave controllers
- Features include: scene capable, user pre-set 'on level', user pre-set minimum brightness before turning off, energy save mode, 49 different fade rates, transient surge suppression built-in
- Horizontal LED brightness display can be set for single LED or cumulative bar
- Can be used in 3-way, multi-way circuit by using matching VPooR remote switch or virtual 3-way with VRCZ1-1LZ



## AGENCY STANDARDS AND COMPLIANCE

- Complies with FCC Part 15, Class B
- NOM Certified (#057)
- UL Listed (File #E-31373)
- CSA Certified (File # 152105)
- UL required air gap switch disconnects power from load locally. It is concealed during normal operation and is accessible without moving the wallplate
- Z-Wave Certified

## WARRANTY INFORMATION

Five-Year Limited Warranty

### Leviton Security & Automation

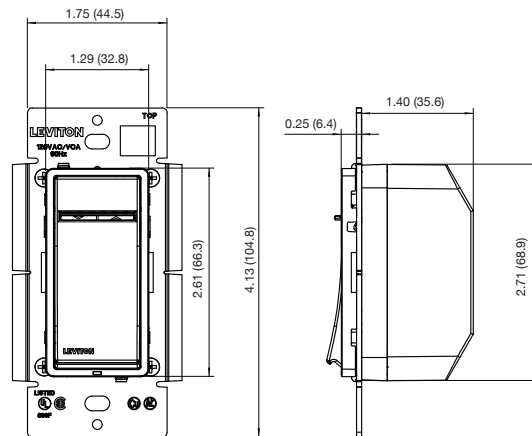
4330 Michoud Blvd., New Orleans, Louisiana, 70129 • Telephone: 1-504-736-9810 • Fax: 1-504-253-2954

### Leviton Mfg. Co., Inc.

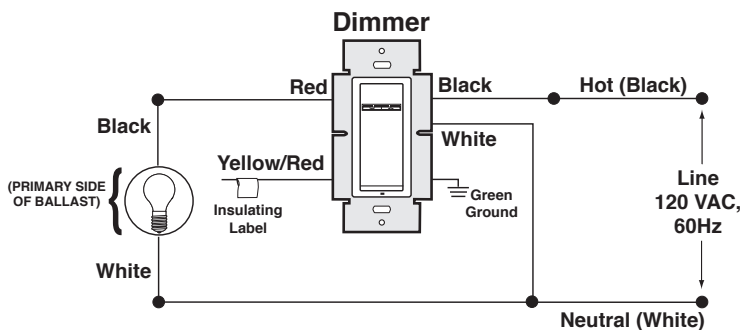
201 North Service Road, Melville, NY 11747 Tech Line: 1-800-824-3005 Fax: 1-800-832-9538 www.leviton.com

© 2014 Leviton Manufacturing Co., Inc. All rights reserved. Subject to change without notice.

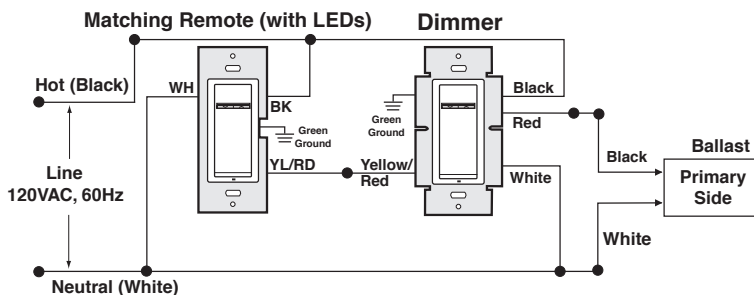
**DIMENSIONAL DRAWING**



**SINGLE POLE WIRING DIAGRAM**



**THREE-WAY WIRING DIAGRAM**



**ORDERING INFORMATION**

CAT. NO.	DESCRIPTION	RATING	COLOR
VRMX1-1L	Z-Wave Universal Dimmer	120VAC, 60 Hz, Neutral wire required 1000W Incandescent 450W LED/CFL 1000VA Magnetic Low Voltage 1000VA Fluorescent Ballast	White

**Leviton Manufacturing Co., Inc.**

201 North Service Road, Melville, NY 11747-3138  
 Telephone: 1-800-323-8920 • Fax: 1-800-832-9538 • Tech Line: (8:30AM-7:00PM E.T. Monday-Friday): 1-800-824-3005

**Leviton Security & Automation**

4330 Michoud Blvd., New Orleans, Louisiana, 70129 • Telephone: 1-504-736-9810 • Fax: 1-504-253-2954

Visit our website at [www.leviton.com/automation](http://www.leviton.com/automation)

© 2014 Leviton Manufacturing Co., Inc. All rights reserved. Subject to change without notice.

SAT-10003