



SK-Zone-6

Six Zone Interface Module

The SK-Zone-6 is an addressable zone interface module for use with IntelliKnight series fire alarm control panels (FACPs). The SK-Zone-6 provides six zone inputs that allow a Silent Knight FACP to interface and monitor two-wire conventional smoke detectors. This means you can retrofit an existing building and use existing conventional devices. Now there's even more power and flexibility available to the IntelliKnight family of products!

Description

The inputs on the SK-Zone-6 share a common FACP signaling line circuit (SLC) input, and the initiating device circuits share a common external power supply. Otherwise, each input on the module operates independently from the others. If needed, you can disable a maximum of two unused inputs on the SK-Zone-6 board.

It transmits the status of a zone of two-wire detectors to the FACP. Status conditions are reported as normal, open, or alarm. The SK-Zone-6 supervises the zone of detectors and the connection of the external power supply.

All two-wire detectors being monitored must be UL compatible with the SK-Zone-6.

Features

- Converts a conventional two-wire loop to an SLC loop
- Six zone inputs
- Fully supervised
- Support for Class B and Class A wiring
- Removable 12 to 18 AWG plug-in terminal blocks
- Individual LED for each relay contact
- Two module mounting in the IDP-ACB cabinet
- Up to two unused modules can be disabled
- Rotary address switches for fast installation
- Mounting hardware included
- UL Listed

Specifications

Physical

Height: 6.8"H x 5.8" W x 1.0"D

Shipping Weight: 6.3 oz (196 g)

Environmental

Operating Temperature: 32°F – 120°F (0°C – 49°C)

Humidity: 10% – 93% non-condensing



SK-Zone-6

Electrical

Operating Voltage: 15 – 32 VDC

SLC Standby & Alarm Current: 2 mA max

SLC Loop Resistance: 40Ω max.

Initiating Device Circuit: Supervised, power-limited

Max. IDC Wiring Resistance: 25Ω max

External Power Supply

Standby Current: 50 mA

Alarm Current: 70 mA per module

End-of-Line Resistance: 3.9k Ω

Compatibility

The SK-Zone-6 is compatible with the following IntelliKnight FACP's:

5700

5808

5820XL

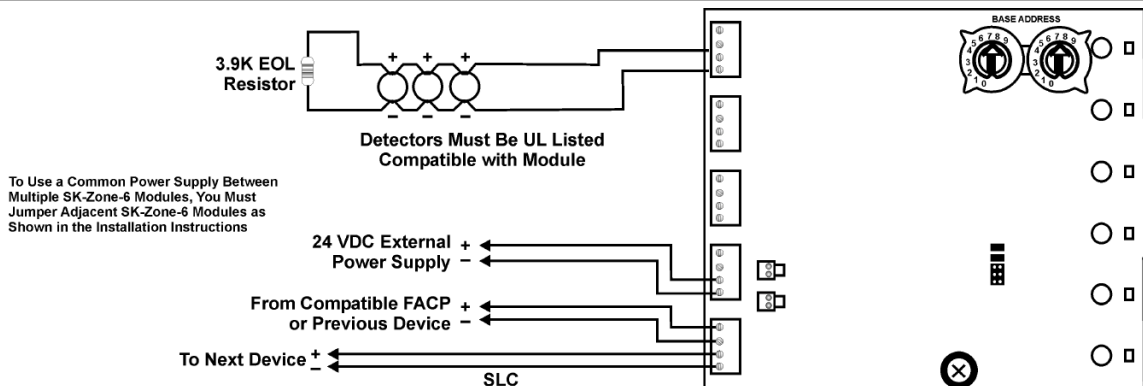
5820XL-EVS

For a list of detectors compatible with the SK-Zone-6, see the SK-Zone-6 Installation Instruction (PN I56-3441-000)

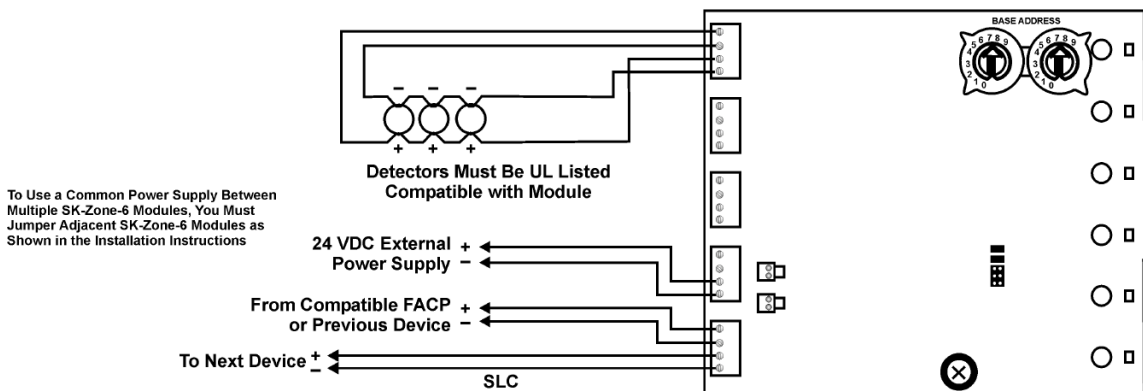
Model SK-Zone-6 Addressable Two-Wire Interface Module

Engineering Specifications

The contractor shall furnish and install where indicated on the plans, SK-Zone-6. All two-wire detectors being monitored shall be UL listed compatible with the SK-Zone-6.



Wiring the SK-Zone-6 Two-Wire Interface Module and Two-Wire Conventional Detectors for Class B, Style B



Wiring the SK-Zone-6 Two-Wire Interface Module and Two-Wire Conventional Detectors for Class A, Style D

Installation

The SK-Zone-6 mounts in the Silent Knight IDP-ACB cabinet. The IDP-ACB has a built in chassis that will accommodate one or two SK-Zone-6 modules.

Ordering Information

SK-Zone-6 Six Zone Two-Wire Interface Module

Accessories

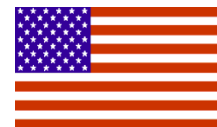
IDP-ACB SK Module Cabinet. Cabinet holds two SK-Zone-6



SILENT KNIGHT

by Honeywell

This document is not intended to be used for installation purposes. We try to keep our product information up-to-date and accurate. We cannot cover all specific applications or anticipate all requirements. All specifications are subject to change without notice. For more information, contact Silent Knight 12 Clintonville Road, Northford, CT 06472-1610 Phone: 203-484-7161 Fax: 203-484-7118. For Technical Support, Please call 800-446-6444. www.silentknight.com



Assembled in USA