

# Fire-Lite RZA-4XF Remote Zone Annunciator Module

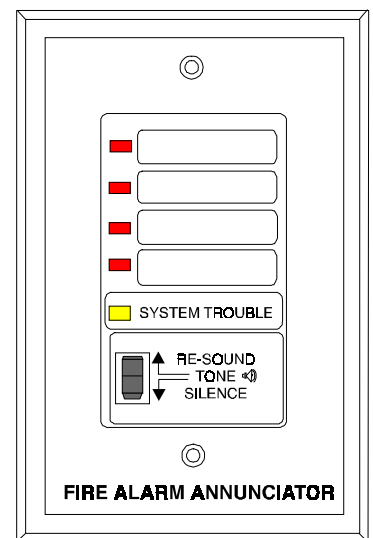
Product Installation Drawing  
Document Number 15275 Rev B  
ECN: 97-192 Print Date: 7/7/97


## RZA-4XF Remote Annunciator

The RZA-4XF Remote Annunciator mounts on a standard single-gang box, and provides LED indication of the same functions as the 4XZMF Zone Relay Module. For example, with DIP 1=ON and DIP 2=OFF:

- One Zone in Alarm (red)
- Two Zones in Alarm (red)
- Releasing Circuit 1 (red)
- Releasing Circuit 2 (red)
- System Trouble (yellow)

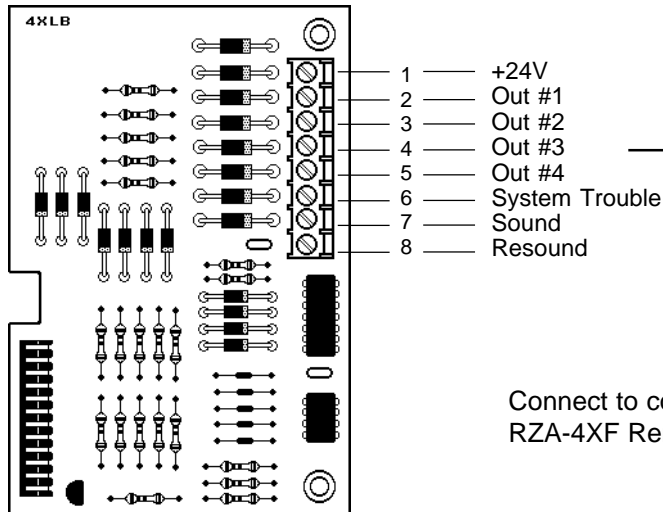
A Local Trouble Sounder and Silence Switch are also provided. All LED wiring is supervised for open conditions. Any open condition will cause the System Trouble LED to illuminate.



 **Note:** The RZA-4XF Remote Annunciator requires the use of an LED Interface Module (see Figure 1, reverse side).

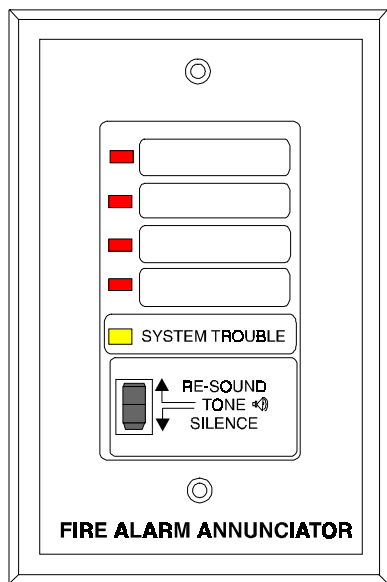
# Figure 1 - Installation of the RZA-4XF with 4XLMF LED Module

## LED Interface Module -- 4XLMF



Connect to corresponding terminals of RZA-4XF Remote Annunciator.

## Remote Annunciator -- RZA-4XF



Front View

