

Securitron® M380 Magnalock®

The 600 lbs holding force, bracket mounted smart Magnalock



Smart, stylish, and secure with advanced features and amazingly easy to install.

The M380 from Securitron provides strong hold, in a stylish way. With unsurpassed intelligence, an integrated optional REX and surveillance camera and incredible ease of installation, it sets a new standard for maglocks.

A built in, auto voltage-sensing microprocessor along with Securitron's patented BondSTAT and door position monitoring plus advanced options such as integrated camera and REX for the most functional maglock ever. The newest addition to the aesthetically pleasing line of maglocks the M380 look is refined enough for the most discriminating designer openings with consolidated features that eliminate the clutter of multiple devices around the door. The fastest, easiest, most secure installation of any bracket mount maglock.

Watch how easy at: bit.ly/1w90Gnx

Features

Standard Features

- PoE friendly
- Sustainability documentation
- Tamper resistant
- Efficient, low power usage
- Automatic dual-voltage—no field adjustment required
- Bracket mounting provides the easiest install for out-swing doors
- Size optimized for use with door closers
- Rust resistant—all ferrous metal surfaces plated for durability
- Instant release circuit—no residual magnetism
- LED visual locked status with configurable red/green color output
- Sleek, low profile and refined lines for improved aesthetics
- Wire chamber with anti-tamper switch
- Adjustable automatic relock timer (0 to 30 seconds)
- Ultra-secure collapsing blind nuts mount to door frame for strength and reliability

- MagnaCare® lifetime replacement, no fault, no questions asked warranty

Optional Features

- **B** Patented BondSTAT magnetic bond sensor
- **D** Integrated Door Position Switch (DPS)
- **C2** Integrated color video surveillance camera
- **C** Integrated black and white video surveillance camera for lower light conditions
- **X** Integrated passive infrared request to exit

For easy 3D instructions, download the BILT mobile app



Grade 3



MagnaCare Warranty



Auto Sensing Dual Voltage 12/24



PoE Friendly

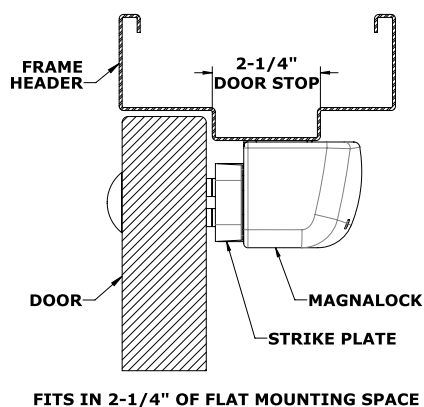
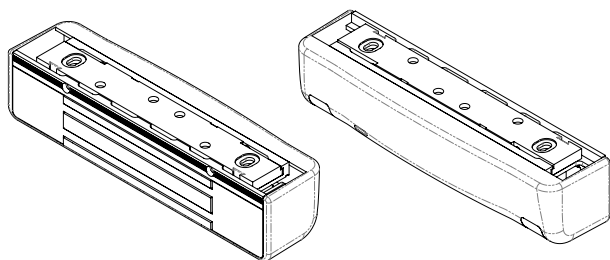
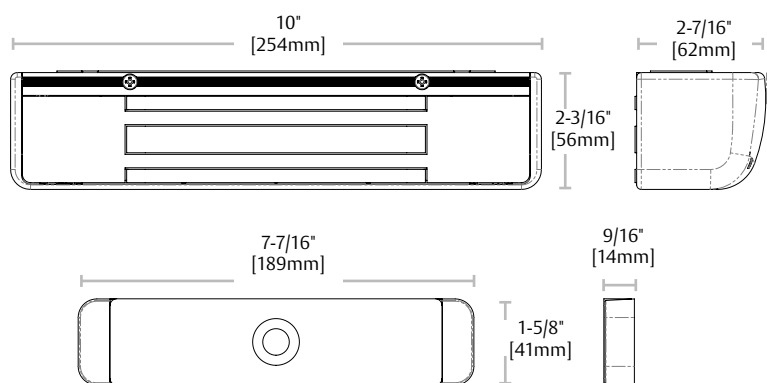


Fire Rated



Preload

Dimensions



Specifications

Certifications

- UL 10C Listed
- UL 1034 Listed
- CAN4-S104, CAN/ULC Listed
- ANSI/BHMA A156.23, Grade 3; E18501-500, E18531-500
- CSFM—California State Fire Marshall Approved

Dimensions

- **Magnalock:** 10"L x 2-7/16"D x 2-3/16"H
- **Strike:** 6-1/4"L x 1/2"D x 1-5/8"H

Electrical

- 510 mA at 12 VDC
- 270 mA at 24 VDC

Holding Force

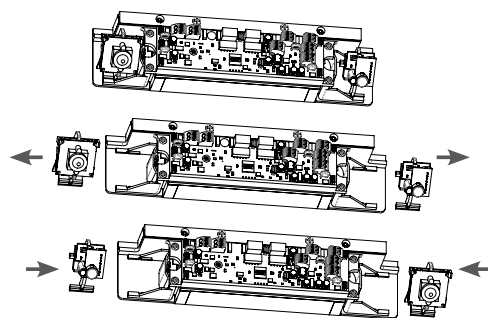
- 600 lbs [272kg]

Operating Temperature

- +32 to +110F [0 to +43C]
- Indoor use only

Shipping Weight

- 8 lbs [3.6kg]



The optional camera and the REX are designed as modular components that can be installed on either the left side or the right side of the magnet. The position of the camera and REX modules can be easily field configured for better positioning on the door.

How to Order

Model Series	Monitoring Options	Accessory Options	Finish Options
M380	BD	C2X	- 313
M370 600 lbs	(blank) No Monitoring	(blank) No Accessory Options	(blank) Satin Aluminum Clear
M380 600 lbs	BD BondStat Monitor & Door Position Switch	C Black and White Camera	605 Bright Brass
		C2 Color Camera	606 Satin Brass
		X PIR Request to Exit	612 Satin Bronze
			313 Satin Brown