

LCD-1C

Small Flat Panel Ceiling Mount

Product Features:

Holds most 10" – 23" flat panels

Accommodates flat panels with 75 or 100 mm VESA standards

Mast telescopes 17" – 27" from the ceiling

Rotates 360° (ceiling) / Rotates 240° at the flat panel

Adjustable -5° to +20° tilt

Includes clip based cable management system

Load capacity - 25 lbs

Silver powder coat finish

Also available in black finish (LCD-1CB)

Product Specifications:

(for Architects & Engineers)

The ceiling mount for the flat panel display shall be the Video Mount Products (VMP) model LCD-1C. The mount shall be constructed primarily of tubular steel and shall incorporate nylonfilled nuts and arc welds. The mount shall be a universal style mount capable of mounting to all 10" - 23" flat panels that incorporate 75mm and 100mm VESA standard mounting hole patterns and not necessarily be model specific. The mount shall include both 75mm and 100mm mounting plates. The mount shall include a cable management system. The mount shall include a telescoping mast that adjusts from 17" - 27" from the ceiling. The mount must allow for adjustable tilt from -5° to +20°. The load capacity shall be 25 lbs. The mount shall also be available in a black finish (LCD-1CB) and a white finish (LCD-1CW)

Video Mount Products

345 Log Canoe Circle

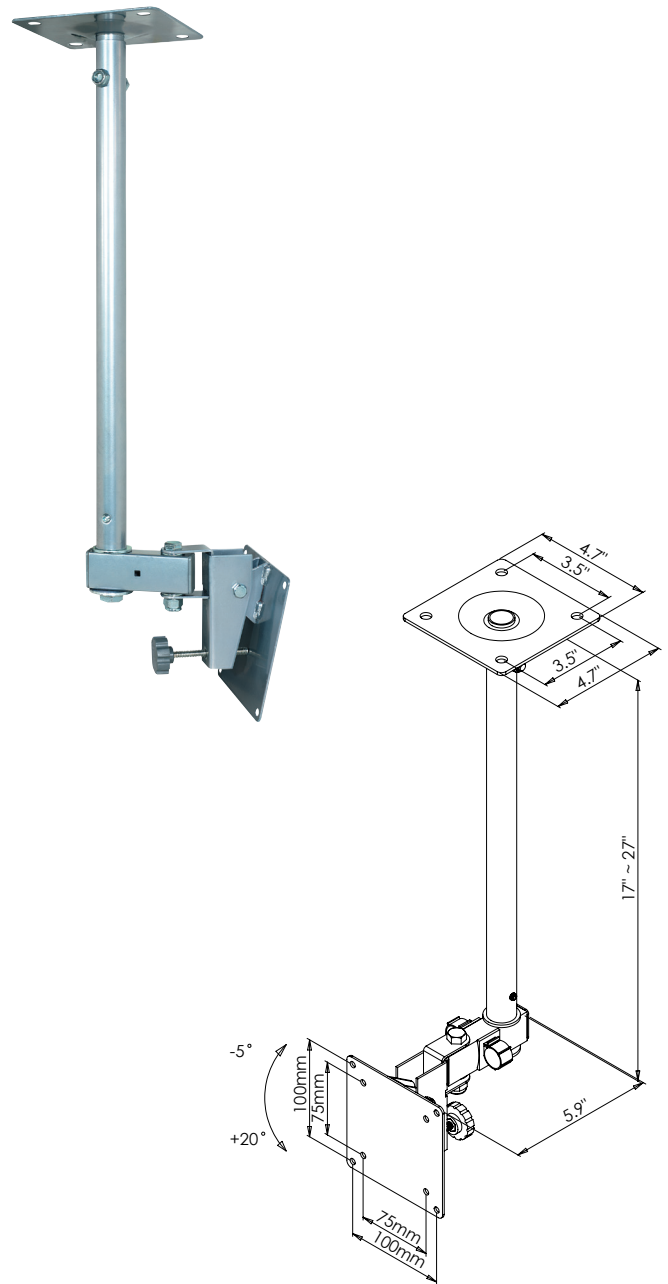
Stevensville, MD 21666

Toll Free: 877.281.2169

Telephone: 410.643.6390

Facsimile: 410.643.6615

www.videomount.com



VMP
VIDEO MOUNT PRODUCTS