

## 4 MP HQA WDR IR Ball Camera

HD30HD4

Supercharge your analog security system with Honeywell's HQA technology for high definition 4 MP images over your existing coax infrastructure. The Performance Series 4 MP HQA line includes a wide range of high performing IR cameras that are easy to install and even easier to use.

### Superior Image Quality

- Full HD 4 MP 15 fps image (25/30 fps @ 1080p) with a 1/3" 4.1 MP sensor
- Long distance transmission over coaxial cable with low attenuation and latency—up to 1,640 ft (500 m) using RG-59
- True Day/Night provides vivid color images by day and clear black-and-white images at night with ICR
- Excellent low-light performance with 2D/3D noise reduction

### Flexible Surveillance Solution

- 3.6 mm fixed lens
- IR LEDs provide up to 164 ft (50 m) of illumination in dimly lit or nighttime scenes (depending on scene reflectance)
- Smart IR technology provides even distribution of IR
- Weatherproof (IP66) camera housing
- -22°F to 140°F (-30°C to 60°C) working temperature
- Plug-and-play compatible with HRHT 4/8/16-Channel Hybrid 4 MP HQA DVRs

### Easy to Install and Use

- 12 VDC power input
- Uses existing BNC cabling—no rewiring required
- Compatible with Honeywell's HQA-WK2 wall mount
- Remote configuration through web client or from the DVR



HD30HD4

*These rugged, fully-featured cameras are ideal for a wide range of surveillance applications, providing excellent picture quality at an affordable price.*

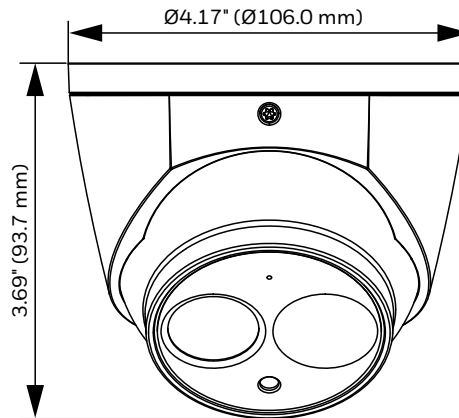
## FEATURES

- Low-light performance down to 0.01 lux (color) or 0 lux with IR LEDs on
- 120 dB WDR supported
- HQA/CVBS video output
- Pole mount and corner mount options available

# 4 MP HQA WDR IR Ball Camera

## SPECIFICATIONS

OPERATIONAL		ENVIRONMENTAL	
VIDEO STANDARD	NTSC/PAL	OPERATING TEMPERATURE	-22°F to 140°F (-30°C to 60°C) *Startup should be done at above -22°F (-30°C)
SCANNING SYSTEM	Progressive scan	STORAGE TEMPERATURE	-22°F to 140°F (-30°C to 60°C)
IMAGE SENSOR	1/3" 4.1 MP CMOS	RELATIVE HUMIDITY	0-90%, non-condensing
NUMBER OF PIXELS (H×V)	2688 (H) × 1520 (V)	INGRESS PROTECTION	IP66
ELECTRONIC SHUTTER SPEED	NTSC: 1/3 - 1/100 000 s; PAL: 1/4 - 1/100 000 s	REGULATORY	
MINIMUM ILLUMINATION	0.01 lux @ F1.5 (color), 0 lux (B/W with IR LEDs on)	EMISSIONS	FCC PART 15B
S/N RATIO	65 dB or more	SAFETY	UL60950-1
RESOLUTION	4 MP (2560 × 1440)	SYSTEM COMPATIBILITY	
FRAME RATE	15 fps @ 4 MP; 25/30 fps @ 1080 p, 720p	HRHT	Hybrid 4 MP HQA DVRs
VIDEO OUTPUT	1-channel BNC high definition video output; 1-channel BNC CVBS video output	MOUNTS	
IR LED	1 high-powered LED	WALL MOUNT	HQA-WK2
IR DISTANCE	Up to 164 ft (50 m), depending on scene reflectance	JUNCTION BOX	HQA-BB3, HQA-BB1
DAY/NIGHT	Auto (ICR)/Color/BW	POLE MOUNT (REQUIRES HQA-WK2)	HQA-PM2
NOISE REDUCTION	2D/3D	CORNER MOUNT (REQUIRES HQA-BB3)	HB34S2-CM
LENS	3.6 mm Fixed		
PRIVACY MASKING	Up to 8 configurable areas		
HORIZONTAL ANGLE OF VIEW	79°		
ELECTRICAL			
POWER SUPPLY	12 VDC ±25%		
POWER CONSUMPTION	5.3 W max. (IR LEDs on)		
DIMENSIONS			
DIMENSIONS	Φ4.2 × 3.7 in. (Φ106.0 × 93.7 mm)		
WEIGHT	1.04 lb. (0.47 kg)		
CONSTRUCTION	Die-cast aluminum housing		
COLOR	RAL 9003 (White)		



## ORDERING

HD30HD4	4MP Analog Ball Camera, WDR 120dB, 1/3" CMOS, 3.6mm, 1 IR LED, TDN, HQA/SD, 12VDC, IP66
---------	---

### For more information

[www.security.honeywell.com](http://www.security.honeywell.com)

### Honeywell Commercial Security

715 Peachtree St. NE

Atlanta, GA 30308

1.800.323.4576

[www.honeywell.com](http://www.honeywell.com)

Honeywell reserves the right, without notification, to make changes in product design or specifications.

HCS-HD30HD4D-02-US(0419)DS-E  
© 2019 Honeywell International Inc.

**Honeywell**