

Commander⁴ Series Emergency Notification Evacuation Signals

Applications

The Commander⁴ Series Emergency Notification Evacuation Signals is a ceiling mount strobe or horn/strobe combination that offers dependable audible and visual alarms for warning and emergency notification. Application include sever weather, evacuation, emergency response and many more.

The GC Emergency Notification Series are 24VDC units available in lens colors of Amber, Blue, Green and Red. The Series offers tamperproof field selectable candela options of 15, 30, 75, 95 and 115 candela.

The Commander⁴ Emergency Notification Evacuation Series has a minimal operating current and has a minimum flash rate of 1Hz regardless of input voltage.

The Commander⁴ Emergency Notification Series is shipped with the standard 4" mounting plate which incorporates the popular *Super-Slide™* feature that allows the installer to easily pre-wire the system and test for supervision. The product also features a locking mechanism that secures the product to the bracket without showing any screws.

The Emergency Notification Series also features the *Checkmate™* - Instant Voltage Verification Feature which allows the installer to check the voltage without removing the signal.

The Commander⁴ Emergency Notification Evacuation Series appliances are UL 1638 and UL464 listed and is warranted for three years from the date of purchase.

Standard Features

- Nominal Voltage - 24VDC
- Tamperproof Field Selectable Candela Options of 15, 30, 75, 95 and 115 candela
- **Unit Dimensions:** 6" x 2.6"
- Prewire Entire System, Then Install Your Signals
- Super-Slide™ Bracket - Ease of Supervision Testing
- Checkmate™ - Instant Voltage Verification
- Input Terminals 12 to 18 AWG
- Switch Selection for High or Low dBA
- Switch Selection for 2400Hz or Mechanical Tone
- Switch Selection for Continuous or Temporal 3
- Tamperproof Re-entrant Grill
- Surface Mount with the GCSB (Gentex Ceiling Surface Mount Box).
- Synchronize Strobe and Horn Using the Gentex SynchronizationModule
- Silence Horn while Strobes Remain Flashing
- Wide Voltage Range 16-33 VDC or FWR
- Faceplate available in red or off-white

GCC/GCS Colored Lens S E R I E S



Lens available in Blue, Red, Amber and Green Colors

Product Listings



This symbol on the product's nameplate means it is Listed by UNDERWRITERS LABORATORIES, INC.

- BS+A/MEA (Pending)
- CSFM (Pending)
- UL Listed 464, 1638



GCS Emergency Notification Evacuation Strobe, Selectable Candela Low Profile

Model Number	Part Number	Lens Color	Nominal Voltage	Candela
GCSA24PCR	904-1383-002	Amber	24 VDC	15, 30, 75, 95, 115
GCSA24PCW	904-1384-002	Amber	24VDC	15, 30, 75, 95, 115
GCSB24PCR	904-1385-002	Blue	24VDC	15, 30, 75, 95, 115
GCSB24PCW	904-1386-002	Blue	24VDC	15, 30, 75, 95, 115
GCSG24PCR	904-1387-002	Green	24VDC	15, 30, 75, 95, 115
GCSG24PCW	904-1388-002	Green	24VDC	15, 30, 75, 95, 115
GCSR24PCR	904-1389-002	Red	24VDC	15, 30, 75, 95, 115
GCSR24PCW	904-1390-002	Red	24 VDC	15, 30, 75, 95, 115

GCC 24 VDC Ceiling Mount Selectable Horn/Strobe

Model Number	Part Number	Lens Color	Nominal Voltage	Candela	Reverberant dBA @ 10ft. Per UL 464 ¹	In Anechoic Room dBA @10ft.
GCCA24PCR	904-1375-002	Amber	24 VDC	15, 30, 75, 95, 115	81-86	90
GCCA24PCW	904-1376-002	Amber	24 VDC	15, 30, 75, 95, 115	81-86	90
GCCB24PCR	904-1377-002	Blue	24 VDC	15, 30, 75, 95, 115	81-86	90
GCCB24PCW	904-1378-002	Blue	24 VDC	15, 30, 75, 95, 115	81-86	90
GCCG24PCR	904-1379-002	Green	24 VDC	15, 30, 75, 95, 115	81-86	90
GCCG24PCW	904-1380-002	Green	24 VDC	15, 30, 75, 95, 115	81-86	90
GCCR24PCR	904-1381-002	Red	24 VDC	15, 30, 75, 95, 115	81-86	90
GCCR24PCW	904-1382-002	Red	24 VDC	15, 30, 75, 95, 115	81-86	90

Notes:

- The GC Emergency Notification Evacuation Series is not listed for outdoor use.
- Operating temperature: 32°to 120°F (0° to 49° C)
- For nominal and peak current across UL regulated voltage range for filtered DC power and unfiltered (FWR [Full Wave Rectified]) power, see installation manual.
- **Gentex does not recommend using a coded or pulsing signaling circuit with any of our strobe products (see technical bulletin number 014 for more information).**

Model designations:

"P" = Plain (no lettering) "C" = Ceiling Mount, "R" = Red Faceplate/"W" = Off-White Faceplate

Lens Colors: "B" = Blue "R" = Red "A" = Amber "G" = Green

Emergency Notification Evacuation Strobe Current Ratings					
Candela	15cd	30cd	75cd	95cd	115cd
24 VDC	72mA	101mA	167mA	200mA	214mA
UL Max ²	120mA	130mA	247mA	318mA	360mA

Horn Mode	Minimum dBA @ 10ft. per UL464 (HIGH)	Minimum dBA @ 10ft. per UL464 (LOW)	Regulated 24VDC Max. Operating @ High Setting (mA)
Temp 3 2400Hz	83	75	23
Temp 3 Mechanical	81	73*	22
Continuous 2400Hz	86	78	23
Continuous Mechanical	84	76	22

*Operating the horn in this mode at this voltage will result in not meeting the minimum UL reverberant sound level required for public mode fire protection service. These settings are acceptable only for private mode fire alarm use. Use the high dBA setting for public mode application.

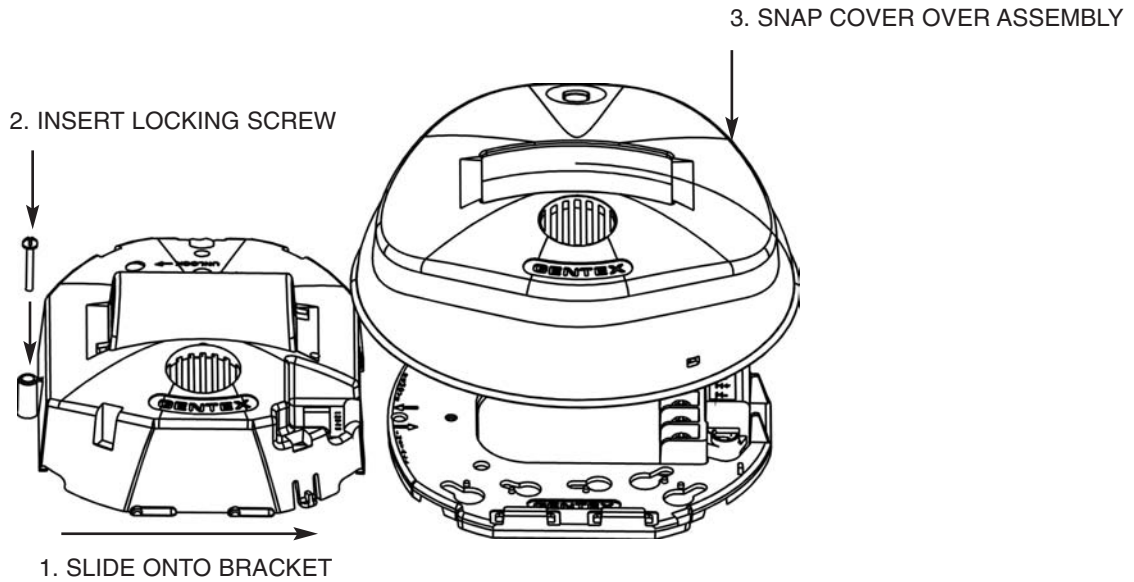
Notes: The sound output for the temporal 3 tone is rated lower since the time the horn is off is averaged into the sound output rating. While the horn is producing a tone in the temporal 3 mode its sound pressure is the same as the continuous mode.

To obtain the horn/strobe current draw, add the strobe current draw and the horn current draw.

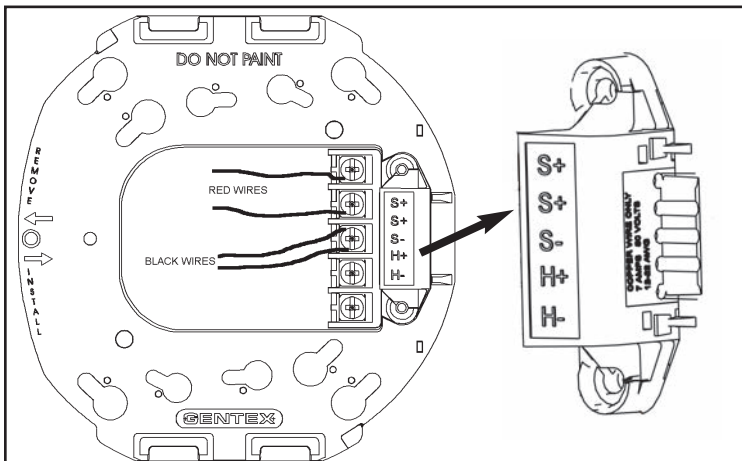
¹ The listed horn current draws are for the Continuous Tone mode. The Temporal 3 Tone has a reverberant dBA @ 10ft. per UL 464 is 77-83 with a horn current draw of 34mA.

² RMS current ratings are per UL average RMS method. UL max current rating is the maximum RMS current within the listed voltage range (16-33VDC for 24VDC units) (8-17VDC for 12VDC units). For strobes the UL max current is usually at the minimum listed voltage (16VDC for 24VDC units) (8VDC for 12VDC units). For audibles the max current is usually at the maximum listed voltage. For unfiltered FWR ratings, see installation manual.

Mounting

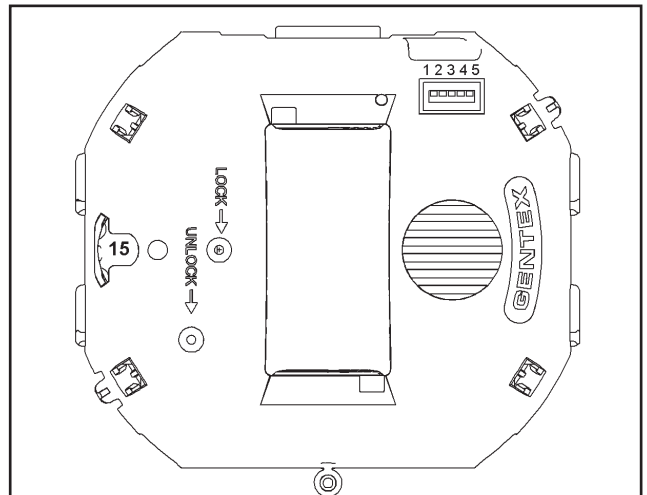


Checkmate™ Instant Voltage Verification



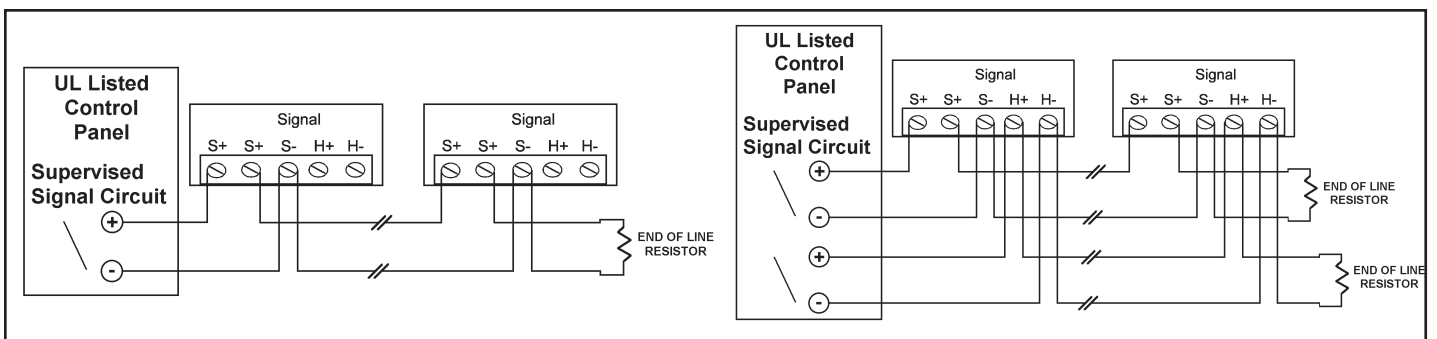
The access holes are provided in the back of the terminal block to allow the voltage to be measured directly without removing the device. Typically this would be done at the end of the line to confirm design criteria. Most measurements will be taken using the S+ and S- locations although access is provided to other locations. **NOTE: Care should be taken to not short the test probes.**

Dip Switch



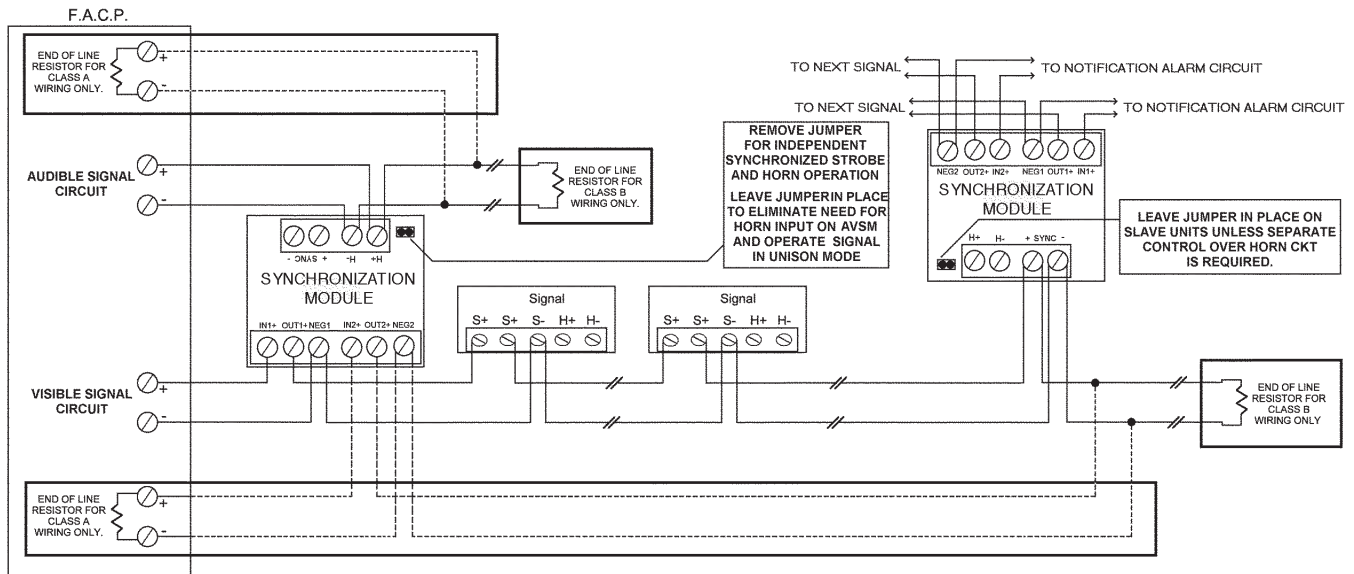
Switch positions 1 and 2 in the down position to select isolated horn and strobe power inputs. Switch 3 selects between temporal or non-temporal tone. Up is temporal. Switch 4 selects between mechanical or high frequency tone. Up is mechanical. Switch 5 selects between high or low dBA. Up is high dBA.

Conventional Wiring Diagrams for Emergency Notification Evacuation Series



GCC/GCS Colored Lens S E R I E S

Wiring Diagram Emergency Notification Series with Gentex Synchronization Module



Note: See Technical Bulletin 015 for proper synchronization module for application.

Architect & Engineering Specifications

The visible and audible/visible signal shall be Gentex model GCS or GCC Emergency Notification Evacuation Series or approved equal and shall be listed by Underwriters Laboratories Inc. per UL 1638 and UL 464 for the GCS and the GCC. The notification appliance shall also be listed with the California State Fire Marshal (CSFM) and the Bureau of Standards and Appeals (NYC).

The notification appliance (combination audible/visible units only) shall produce a peak sound output of 90dBa or greater as measured in an anechoic chamber. The signaling appliance shall also have the capability to silence the audible signal while leaving the visible signal energized with the use of a single pair of power wires. Additionally, the user shall be able to select either continuous or temporal tone output with the temporal signal having the ability to be synchronized.

The visible signaling appliance shall also maintain a minimum flash rate of 1Hz or up to 2 Hz regardless of power input voltage. The appliance shall have an operating current of 72mA or less at 24 VDC for the 15 Cd.

The appliance shall be polarized to allow for electrical supervision of the system wiring. The unit shall be provided with terminals with barriers for input/output wiring and be able to mount to a single gang or double gang box or double workbox with the use of an adapter plate. The unit shall have an input voltage range of 16-33 volts with either direct current or full wave rectified power.

The appliance shall be capable of testing supervision without disconnecting wires. Also the appliance shall be capable of mounting to a surface back box. The unit shall also be able to verify voltage at the unit without removing unit.

24 units per carton
29 pounds per carton

GENTEX
CORPORATION

Fire Protection Products: www.gentex.com
10985 Chicago Drive Box 310 • Zeeland, Michigan 49464
616.392.7195 • 1.800.436.8391 • 616.392.4219 Fax

Gentex corporation reserves the right to make changes to the product data sheets at their discretion.

Important Notice:

These materials have been prepared by Gentex Corporation ("Gentex") for informational purposes only, are necessarily summary, and are not purporting to serve as legal advice and should not be used as such. Gentex makes no representations and warranties, express or implied, that these materials are complete and accurate, up-to-date, or in compliance with all relevant local, state and federal laws, regulations and rules. The materials do not address all legal considerations as there is inevitable uncertainty regarding interpretation of laws, regulations and rules and the application of such laws, regulations and rules to particular fact patterns. Each person's activities can differently affect the obligations that exist under applicable laws, regulations or rules. Therefore, these materials should be used only for informational purposes and should not be used as a substitute for seeking professional legal advice. Gentex will not be responsible for any action or failure to act in reliance upon the information contained in this material.

551-0043-01

Printed on Recycled Paper