

FP-SFTB

Small Flat Panel Flush Mount W/ Tilt

Product Features:

Holds most 10" – 23" flat panels

Accommodates flat panels w/ 75 or 100mm
VESA standards

Adjustable tilt -5 to +15°

Distance from wall to back of the flat panel – 1.7"

Utilizes tamper resistant hardware

Load capacity – 25 lbs

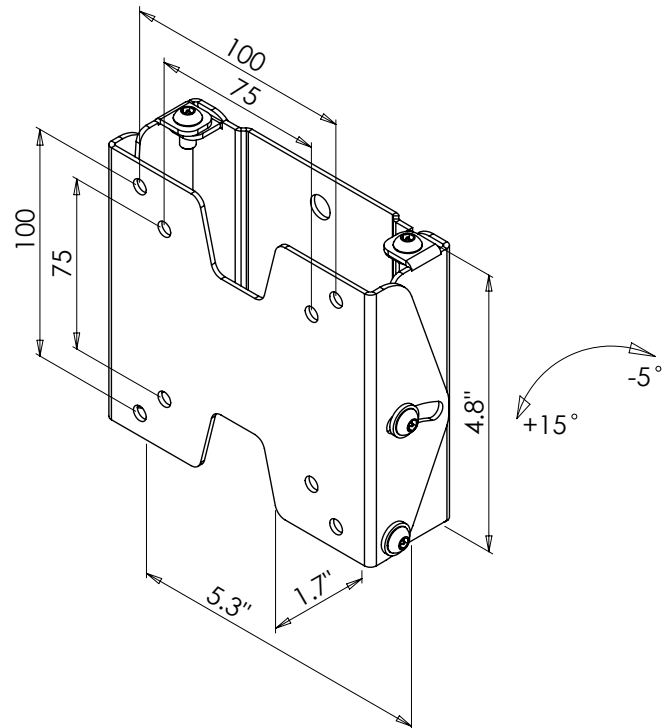
Black powder coat finish

Available in silver finish (FP-SFT)

Product Specifications:

(for Architects & Engineers)

The wall flush with tilt mount for the small flat panel display shall be the Video Mount Products (VMP) model FP-SFT. The mount shall be designed to attach to a single stud or other suitable support surface. The mount shall be primarily constructed of formed steel. The mount shall incorporate security screws for the tilt mechanism and to secure the tilt mechanism to the wall plate. The mount shall be a universal style mount capable of mounting to all 10" – 23" flat panels that incorporate 75 or 100 VESA standard hole patterns and not necessarily be model specific. The mount shall be capable of tilting from -5° to +15°. The load capacity shall be 25 lbs.



Video Mount Products

345 Log Canoe Circle

Stevensville, MD 21666

Toll Free: 877.281.2169

Telephone: 410.643.6390

Facsimile: 410.643.6615

www.videomount.com

VMP
VIDEO MOUNT PRODUCTS