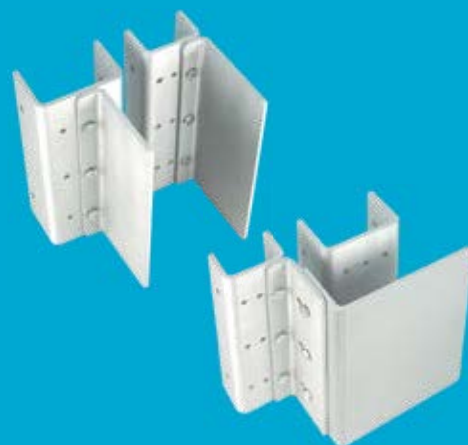


# Securitron® FMK Flex-Mount Gate Lock Bracket Kits

*Bracket kits extend access control  
to gates and fences*



The FMK Flex-Mount Bracket System is an intuitive set of mounting brackets designed exclusively for use with the M62FG Magnalock® and the GL1 Gate Lock.

Pre-formed post channels and plates of varying lengths make it easy for you to assemble a professional looking, high-security gate lock mounting platform in minutes, without special tools.

## Features

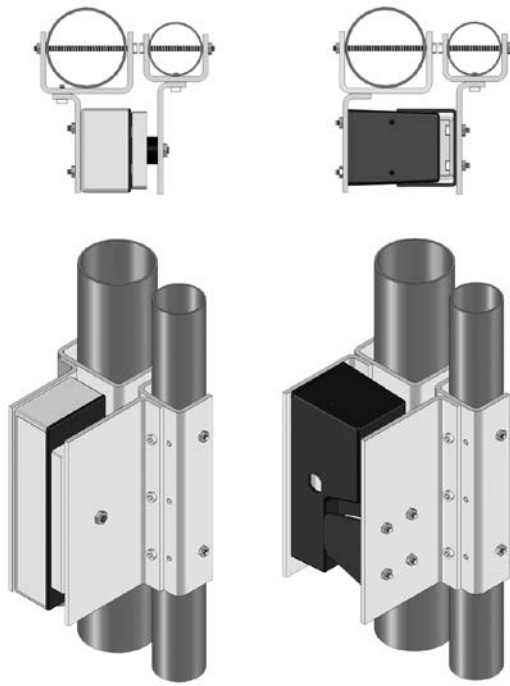
### Standard Features

- Permits electronics to be mounted on fence posts or gate posts
- Brackets are reversible
- Bracket kits include brackets, mounting hardware and post shims
- Post brackets are pre-drilled
- Zinc-plated steel provides durability and long life
- Bolt on or weld for installation
- Compatible with maximum 3" round post with minimum pole separation of 1"
- Use with Post Shim Brackets for smaller post sizes
- MagnaCare® lifetime replacement, no fault, no questions asked warranty



MagnaCare  
Warranty

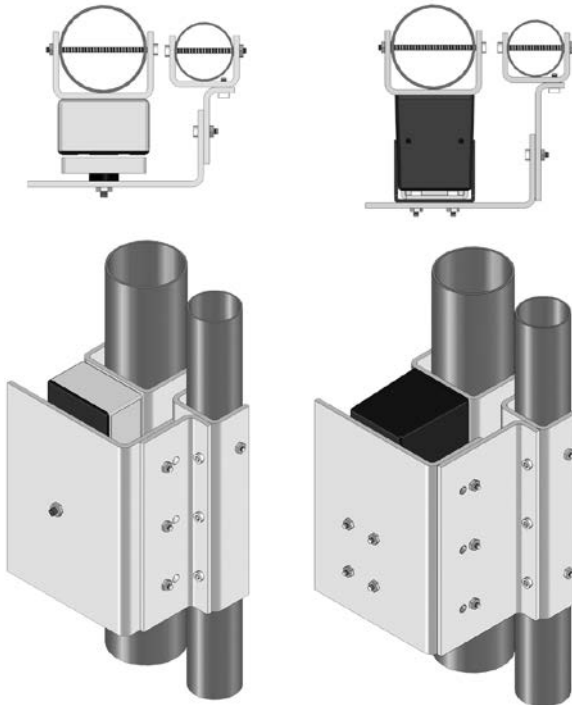
## Sliding Gate



FMK-SL shown  
with M62FG

FMK-SL shown  
with GL1

## Swinging Gate



FMK-SW shown  
with M62FG

FMK-SW shown  
with GL1

## Specifications

## Shipping Weight

- 7 lbs [3.18kg]

## Notes

- M62FG can be direct mounted on square posts
- To use FMK-SL with M62FG-SASM, post separation should be 1" to 2-1/4"
- To use FMK-SW with M62FG or GL1, post separation should be 1" to 2-3/4"
- To use FMK-SL with M62FG or GL1, post separation should be 1" to 3-3/4"

## FMK Flex-Mount Kits

## Part Number | Description

<b>FMB9-4</b>	Post shim kit for Flex-Mount Brackets - (Set of 4)
<b>FMK-SL</b>	Flex-Mount Kit for Sliding Gate
<b>FMK-SW</b>	Flex-Mount Kit for Swing Gate