

DS-2CD7A26G0/P-IZHS/8

License Plate Recognition Network Bullet Camera

DarkFighter™

LightFighter



DeepinView^{series}

- 1/1.8" (2 MP) Progressive Scan CMOS
- 1920 x 1080 Resolution @ 60 fps
- EXIR 2.0 with up to 165 ft (50 m) and 330 ft (100 m) IR Range
- 2.8 to 12 mm and 8 to 32 mm Motorized Lenses
- Ultra-Low Light, 0.002 Lux (with f/1.2 Lens), Darkfighter Technology
- H.265+, H.265, H.264+, H.264
- 5 Defined Streams and 5 Custom Streams
- 140dB WDR, Lightfighter Technology
- Alarm Input/Output
- MicroSD Card Slot Supports 256 GB
- Specially-Designed Pole Mount Offers Perfect Height and Angle for License Plate Recognition
- Convenient Integrated Conduit Base
- Anti-Fog Coating Inside of Lens Cover
- IP67, IK10 Protection
- 12 VDC and PoE (802.3af)

The Hikvision DS-2CD7A26G0/P-IZHS/8 License Plate Recognition Network Bullet Camera is designed to capture vehicle images and recognize license plate numbers in a variety of lighting conditions.

The camera supports Darkfighter technology, which allows for viewing and recording in ultra low-light conditions. With a WDR of 140dB and Lightfighter technology, it provides superb image quality.

It is equipped with 2.8 to 12 mm and 8 to 32 mm motorized varifocal lenses, and offers an EXIR 2.0 IR range of up to 165 ft (50 m) and 330 ft (100 m).

The camera also has the capacity for up to 10,000 whitelist (authorized) and blacklist (unauthorized) records, which provides powerful access control functionality.

Available models:

DS-2CD7A26G0/P-IZHS




DS-2CD7A26G0/P-IZHS8



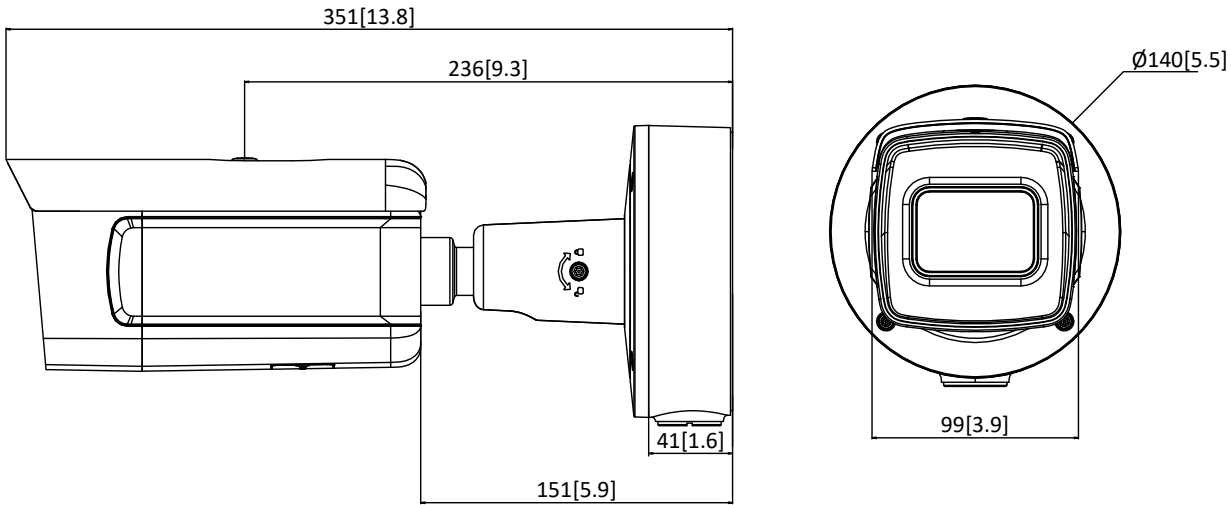
Specifications

DS-2CD7A2660/P-IZHS		DS-2CD7A2660/P-IZHS8	
Camera			
Image Sensor	1/1.8" Progressive Scan CMOS		
Minimum Illumination	Color: 0.002 lux @ (f/1.2, AGC on), 0 lux with IR		
Shutter Speed	1 s to 1/100,000 s		
Slow Shutter	Yes		
Day/Night	IR Cut Filter		
Digital Noise Reduction	3D DNR		
WDR	140dB		
Angle Adjustment	Bracket, pan: 0° to 355°, tilt: 0° to 90°, rotate: 0° to 360°		
Lens			
Focal Length	2.8 to 12 mm	8 to 32 mm	
Aperture	f/1.2	f/1.6	
Focus	Auto, semi-auto, manual		
FOV	Horizontal FOV 103.3° to 38.6°, vertical FOV 54.2° to 21.9°, diagonal FOV 124.2° to 44.3°	8 to 32 mm, horizontal FOV 42.5° to 13.4°, vertical FOV 23.4° to 7.7°, diagonal FOV 49° to 15.3°	
Lens Mount	Integrated		
IR			
IR Range	Up to 165 ft (50 m)	Up to 330 ft (100 m)	
Wavelength	850 nm		
Compression Standard			
Video Compression	Main stream: H.265+/H.265/H.264+/H.264; sub stream/third stream/fourth stream/fifth stream/custom stream: H.265+/H.265/H.264+/H.264/MJPEG		
H.264 Type	Baseline profile/main profile/high profile		
H.264+	Main stream support		
H.265 Type	Main profile		
H.265+	Main stream support		
Video Bit Rate	32 Kbps to 16 Mbps		
Audio Compression	No		
Audio Bit Rate	No		
Smart Features			
Perimeter Protection	Line crossing detection, intrusion detection, region entrance detection, region exiting detection, unattended baggage detection, object removal detection		
Exception Detection	Scene change detection, defocus detection		
Face Detection	Yes		
Recognition	License plate recognition		
Region of Interest	Four fixed regions for main stream, sub stream, third stream, fourth stream, and fifth stream, and dynamic tracking		
Traffic and Vehicle Detection			
Blacklist and Whitelist	Maximum 10,000 records		
Image			
Maximum Resolution	1920 x 1080		
Main Stream	60 fps (1920 x 1080, 1280 x 960, 1280 x 720)		
Sub Stream	30 fps (704 x 480, 640 x 480)		
Third Stream	30 fps (1920 x 1080, 1280 x 960, 1280 x 720, 704 x 480, 640 x 480)		
Fourth Stream	30 fps (1920 x 1080, 1280 x 720, 704 x 480, 640 x 480)		
Fifth Stream	30 fps (704 x 480, 640 x 480)		
Custom Stream	30 fps (1920 x 1080, 1280 x 720, 704 x 480, 640 x 480)		
Image Enhancement	BLC, HLC, 3D DNR, Defog, EIS, lens distortion correction		
Image Setting	Rotate mode, saturation, brightness, contrast, sharpness, AGC, and white balance are adjustable by client software or web browser		
Target Cropping	Yes		
SVC	H.264 and H.265 encoding		
Day/Night Switching	Day/night/auto/schedule/triggered by alarm in/triggered by video		
Picture Overlay	Logo picture can be overlaid on video with 128 x 128 24 bit bmp format		
Network			
Network Storage	MicroSD/SDHC/SDXC card (256 GB), local storage and NAS (NFS,SMB/CIFS), ANR		
Alarm Trigger	Motion detection, video tampering alarm, network disconnected, IP address conflict, illegal login, HDD full, HDD error, alarm for black and whitelisted license plates		
Protocols	TCP/IP, ICMP, HTTP, HTTPS, FTP, DHCP, DNS, DDNS, RTP, RTSP, RTCP, PPPoE, NTP, UPnP, SMTP, SNMP, IGMP, 802.1X, QoS, IPv6, UDP, Bonjour		
Security Measures	Password protection, HTTPS encryption, IEEE 802.1x port-based network access control, IP address filtering, basic and digest authentication for HTTP/HTTPS, WSSE, and digest authentication for ONVIF		
General Function	One-key reset, anti-flicker, five streams and five custom streams, heartbeat, password protection, privacy mask, watermark, and IP address filtering		
API	ONVIF (PROFILE S, PROFILE G), ISAPI, SDK		
Simultaneous Live View	Up to 20 channels		
User/Host	Up to 32 users. 3 user levels: administrator, operator and user		
Client	iVMS-4200, Hik-Connect, Hik-Central		
Web Browser	Plug-in required live view: IE 8+, Chrome 31.0 to 44, Mozilla Firefox 30.0 to 51, Safari 8.0+ Plug-in free live view: Chrome 45+, Mozilla Firefox 52+		
Interface			
Communication Interface	One RJ45 10M/100M/1000M Ethernet port, one RS-485 interface (half duplex, HIKVISION, Pelco-P, Pelco-D, self-adaptive)		
Alarm	Two inputs, two outputs (up to 24 VDC 1A or 110 VAC 500 mA)		
Video Output	One Vp-p composite output (75 Ω/CVBS)		
On-Board Storage	Built-in microSD/SDHC/SDXC slot, up to 256 GB		
BNC	CVBS analog output (4CIF resolution), internal		
Reset Button	Yes		
Audio			
Environment Noise Filtering	No		
Audio Sampling Rate	No		
General			
Operating Conditions	-40° F to 140° F (-40° C to 60° C); humidity 95% or less (non-condensing)		
Power Supply	12 VDC ± 20%, two-core terminal block; PoE (802.3at, class 4)		
Power Consumption and Current	12 VDC, 1.4 A, maximum 16.5 W; PoE (802.3at, 42.5 V to 57 V), 0.4 A to 0.3 A		
Protection Level	IP67, IK10		
Heater	Yes		
Material	Aluminum alloy		
Dimensions	Camera: Ø 5.5" x 13.8" (Ø 140 mm x 351 mm)		
Weight	Camera: 5.51 lbs (2.50 kg)		

Accessories

		
PM Pole Mount	CM Corner Mount	PM-LPR Pole Mount for LPR Camera

Dimensions



Units: mm(inches)