

Wireless Video Door Phone

DP-266-1C3Q

The ENFORCER Wireless Video Door Phone is a stand-alone, handheld home entry solution. Observe visitors on the large 3³/₈" screen as they arrive, communicate with them, take photos for later viewing, and unlock a gate to grant entry – all from the wireless monitor. Connect up to 3 monitors with 2 cameras for viewing multiple entrances around the house.

Features:

- Talk with visitors and unlock doors or gates via the monitor
- Handheld monitor's rechargeable battery allows convenient communication with visitors while moving around the premises
- Connect up to 2 additional monitors and 1 additional camera (sold separately)
- Intercom calling between paired monitors
- Egress input allows the door phone to be connected to a Request-to-Exit Plate or other egress device
- Camera has a 170° field of view with adjustable pan and tilt angle to accommodate a variety of installations
- Camera has built-in IR LEDs for nighttime operation
- Camera's built-in PIR sensor activates camera to take photos of approaching visitors
- Tamper switch triggers alarm if camera is removed from base

Specifications:

Camera		
Type	Color camera	
Chip	CMOS	
Resolution	480 TV Lines	
Lens	2mm	
Field of view	170°	
Camera angle adjustment	Up to 20° any direction	
Operating voltage	9~16 VAC / 5~16 VDC	
Relock delay	3/6/8 Seconds	
Relay output	3A@250VAC/30VDC	
Current draw	Active	300mA@12VDC
	Standby	15mA@12VDC
Battery life	Active	~7 Hours
	Standby	~60 Days
IR LED Range	5' (1.5m)	
IR LED Frequency	940nm	
PIR Detection range	9' (3m)	
PIR Detection angle	60°	
Dimensions (with bracket)	5 ¹¹ / ₁₆ "x3 ¹ / ₈ "x1 ¹⁵ / ₁₆ " (144x80x50 mm)	
Weight	4.3-oz (122g)	
Operating temperature	14°~122° F (-10°~50° C)	



Unlocks Doors

Allows access remotely via the monitor



Wireless Operation

Range: Up to 492ft (150m)*



2 Cameras, 3 Monitors

Pair up to 3 monitors with 2 cameras



Adjustable Camera Angle

Allows for mounting variations

Monitor		
Display	3 ³ / ₈ " (86mm) TFT	
Operating voltage	5VDC (adapter) or 3.7VDC (battery)	
Current draw	Active	370mA@3.7VDC
	Standby	5mA@3.7VDC
Battery life	Active	~2.5 Hours
	Standby	~7 Days
Operating frequency	2402~2480 MHz	
RF Power	120mW	
Wireless range	492' (150m)*	
Dimensions	5"x3 ³ / ₈ "x7 ¹ / ₈ " (127x85x22 mm)	
Weight	3.9-oz (110g)	
Operating temperature	32°~104° F (0°~40° C)	

*Line-of-sight range. Actual range may vary depending on the installation and operating environment.

SECO-LARM® U.S.A., Inc.

16842 Millikan Avenue, Irvine, CA 92606

Phone: (949) 261-2999 | (800) 662-0800 Fax: (949) 261-7326

Website: www.seco-larm.com Email: sales@seco-larm.com



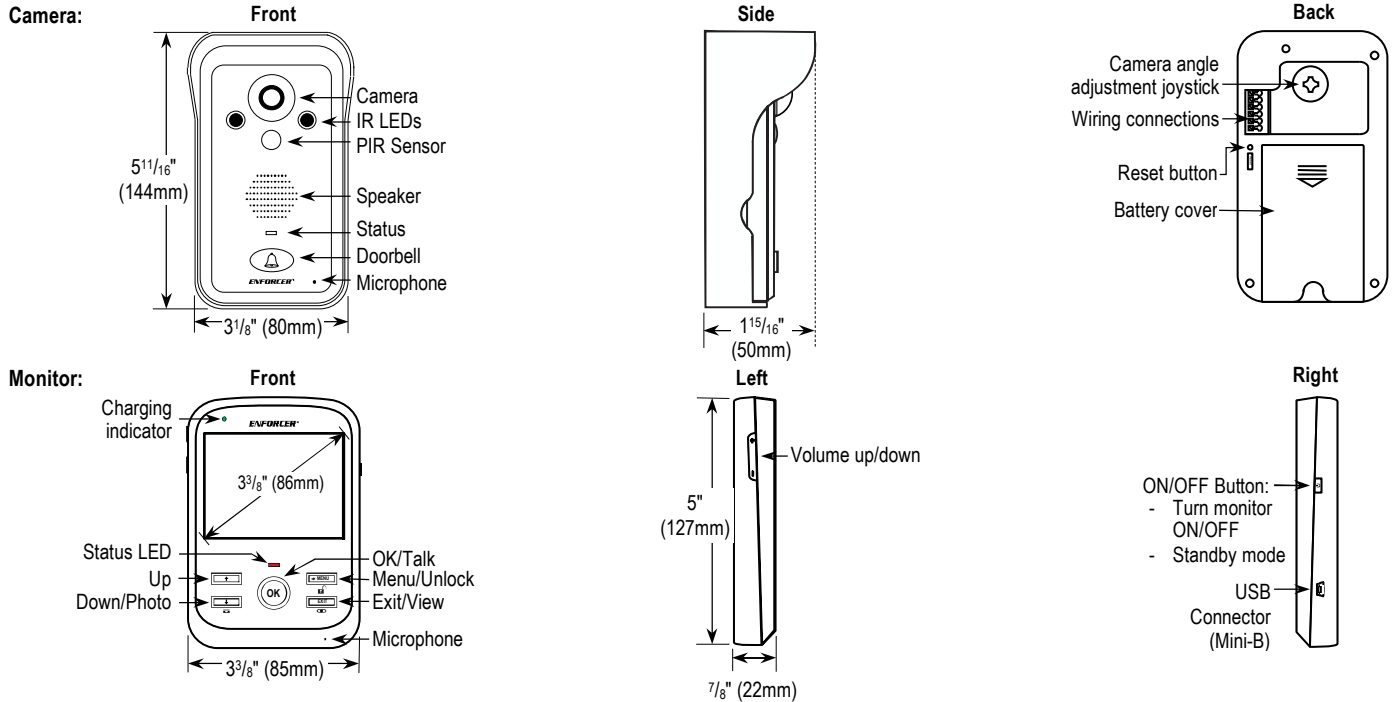
Copyright © 2018 SECO-LARM U.S.A., Inc. All rights reserved. All trademarks are the property of SECO-LARM U.S.A., Inc. or their respective owners. The SECO-LARM policy is one of continual development. For that reason, SECO-LARM reserves the right to change prices and specifications without notice. SECO-LARM is not responsible for misprints.

SECO-LARM® ENFORCER® CRIMEBUSTER® CBA® SLI®

PI_DP-266-1C3Q_180711.docx

Wireless Video Door Phone

Overview:



On-Screen Display Features:



Photos – View and delete photos taken by the camera station.



Time – Set the time and date.



Language – Choose from English, German, Spanish, French, Russian, or Chinese language formats.



Messages – View photos from missed calls.

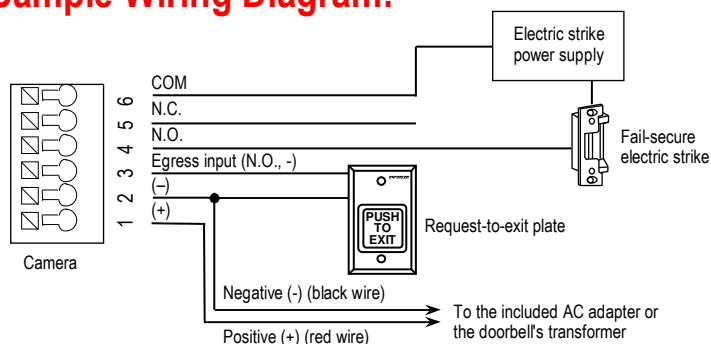


Ring – Choose from four different ring tones and set ring volume (six levels).



Setup – Set advanced settings such as motion detection, backlight time, unlocking duration, pairing, or alarm settings.

Sample Wiring Diagram:



Optional Accessories:

DP-266-M3Q
Additional Monitor



DP-266-CQ
Additional Camera



SECO-LARM® U.S.A., Inc.

16842 Millikan Avenue, Irvine, CA 92606

Phone: (949) 261-2999 | (800) 662-0800 Fax: (949) 261-7326

Website: www.seco-larm.com Email: sales@seco-larm.com



Copyright © 2018 SECO-LARM U.S.A., Inc. All rights reserved. All trademarks are the property of SECO-LARM U.S.A., Inc. or their respective owners. The SECO-LARM policy is one of continual development. For that reason, SECO-LARM reserves the right to change prices and specifications without notice. SECO-LARM is not responsible for misprints.

SECO-LARM® ENFORCER® CRIMEBUSTER® CBA® SLI®