



UL 294  
Compliant



Compliant

Intertek

## CM-30 SERIES LED ILLUMINATED EXIT SWITCHES



CM-30E

CM-30U  
(ENGLISH & SPANISH)

EXIT	SALIDA	EXIT	PUSH TO EXIT
EMPUJAR PARA SALIR	OCCUPIED WHEN LIT	SALIDA	EMPUJAR PARA SALIR
		ALARM ARMED	PUSH TO LOCK LOCKED WHEN LIT



CM-30C  
(ENGLISH & FRENCH)

EXIT	SORTIE	EXIT	SORTIE
EXIT SORTIE	POUSSEZ POUR SORTIR	PUSH TO EXIT	ALARM ARMED
OCCUPIED WHEN LIT	OCCUPIED OCCUPE	POUSSEZ POUR SORTIR	PUSH TO LOCK LOCKED WHEN LIT



### FEATURES

- THE BIGGEST SELECTION OF EASY TO INSTALL SWITCH LABELS
- UL 294 AND UL 61058-1 COMPLIANT, MEETS NFPA REQUIREMENTS
- ECONOMICAL HIGH VISIBILITY 2" (50mm) SQUARE ILLUMINATED BUTTON
- INDUSTRIAL GRADE STAINLESS STEEL FACEPLATE
- SPDT 10AMP. MOMENTARY CONTACTS
- 12/ 24 V WITH LED BULB
- 'CAMDEN TOUGH' 3YR. WARRANTY

### DESCRIPTION

Camden Door Controls CM-30U and CM-30C 'Universal' illuminated exit switches are highly visible, and lead the market with the most complete range of red, green and blue insert labels. The insert labels are easily field installed and allow the switch to be customized to meet the requirements of any project. Buttons are supplied with industrial grade stainless steel (single gang) faceplates.

In addition to UL compliance of the finished switch, the SPDT switch component is also UL listed and rated 10 amps @ 30V DC, momentary operation.

Supplied with super-bright long-life LED's (10 year life).

### APPLICATION

CM-30U and CM-30C 'Universal' switches are ideal for the widest range of door control applications. This includes installation as an NFPA compliant 'Request to Exit' (REX) switch, ADA compliant exit switch or for other switch control, where high visibility is required. The switches may be surface or flush mounted.

Camden illuminated exit switches are designed to control electric locks, electromagnetic locks, electric strikes, automatic doors, and low energy door operators. They may also be used for shunting, bypassing alarms, request to exit, timed functions and many other applications.

Where an 2" square illuminated switch is required with electronic time delay, Camden offers model CM-30EE with double break circuitry. Please refer to specification sheet number MKTG-LIT-SP-30EE.

KEY SWITCHES

PUSH BUTTONS

MOUNTING OPTIONS

RF CONTROLS

HANDS-FREE SWITCHES

SPECIAL PURPOSE SWITCHES

KEYPADS

ACCESSORIES

# LED ILLUMINATED EXIT SWITCHES

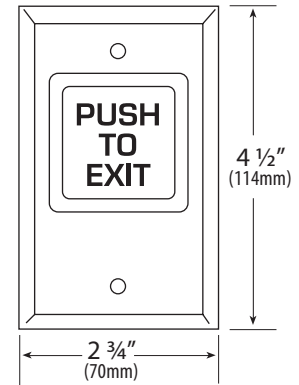
## ARCHITECTS/ENGINEERS SPECIFICATIONS

The illuminated exit switches to be used throughout the site/complex shall be Camden Door Controls CM-30U or CM-30C 'Universal' LED illuminated exit switches. Switch label to be determined at time of installation.

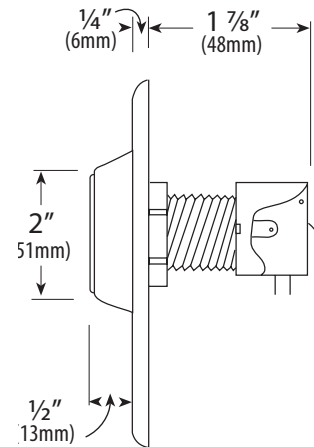
The button shall be 2" square, and designed to be easy to activate. The faceplate shall be constructed of industrial grade stainless steel, and shall be supplied with stainless steel Torx™ or snake eye security screws. All symbols, letters, and/or markings shall be inset under the bezel of the button so as to never wear off.

The illuminated switches shall be UL294 and UL 61058-1 compliant. Ratings for all electrical contacts shall be a minimum of 10 amps @ 30 VDC.

LED models shall be supplied with super-bright LED's. Life expectancy shall be a minimum of 100,000 hours (10 year life estimated).



FRONT VIEW



SIDE VIEW

## ORDERING INFORMATION

MODEL	DESCRIPTION
<b>UNIVERSAL</b>	
CM-30U:	(13) ENGLISH AND SPANISH INSERT LABELS, 12V/28V LED BULB, SPRING RETURN, SPDT MOMENTARY
CM-30C:	(13) ENGLISH AND FRENCH INSERT LABELS, 12/28V LED BULB, SPRING RETURN, SPDT MOMENTARY
<b>ECONOMY</b>	
CM-30E:	'PUSH TO EXIT', GREEN, LABEL 12/28V LED BULB, SPRING RETURN, SPDT MOMENTARY