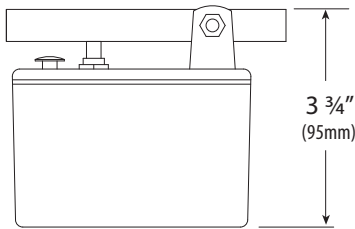
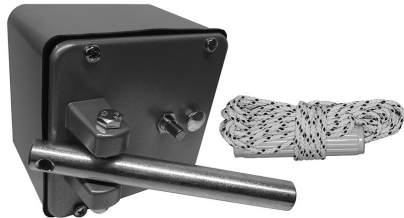




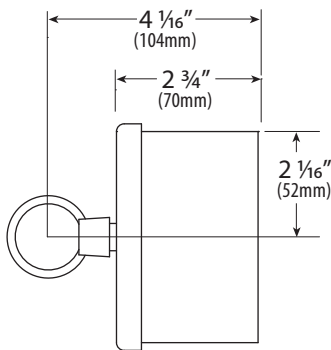
## CI-SCP1 AND CI-WPS1 CEILING AND WALL PULL SWITCHES



CI-SCP1



CI-WPS1



CI-WPS1

### FEATURES

- INTERIOR OR EXTERIOR USE
- HEAVY-DUTY DIE CAST ALUMINUM ENCLOSURE
- NEMA 1 AND NEMA 2 RATED FOR INTERIOR USE
- NEMA 4 RATED FOR EXTERIOR USE
- FORM C CONTACTS, SPDT
- HIGH POWER OUTPUTS RATED 15A @ 125-250 VAC
- SUPPLIED WITH 20 FOOT CORD AND PULL HANDLE
- UL LISTED, CSA CERTIFIED
- OPTIONAL 110V HEATER (WPSI)
- SPST MOMENTARY CONTACT ON CI-WPS1

### DESCRIPTION

Camden Door Controls CI-SCP1 and CI-WPS1 pull switches are constructed from heavy-duty die cast aluminum, with a bronze sleeve bearing providing smooth pull down actuation. The CI-WPS1 has a cast aluminum cam capable of rotating 360 degrees while pivoting downwards to 30 degrees off vertical in any direction. These pull switches provide SPST momentary contact (CI-WPS1) or form C, SPDT connected to common and N.O. (CI-SCP1) rated 15A @ 125-250 VAC. UL Listed and CSA certified, these pull switches meet NEMA 4 requirements when installed with liquid tight conduit.

### APPLICATION

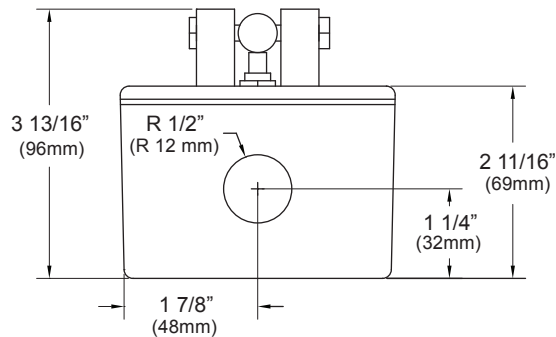
Camden Door Controls CI-SCP1 and CI-WPS1 ceiling pull switches are designed to control overhead industrial doors. CI-SCP1 is ceiling mounted while CI-WPS1 may be ceiling or wall mounted. CI-WPS1 features a rotating and pivoting cam, which facilitates use by forklift operators.

## ARCHITECTS/ENGINEERS SPECIFICATIONS

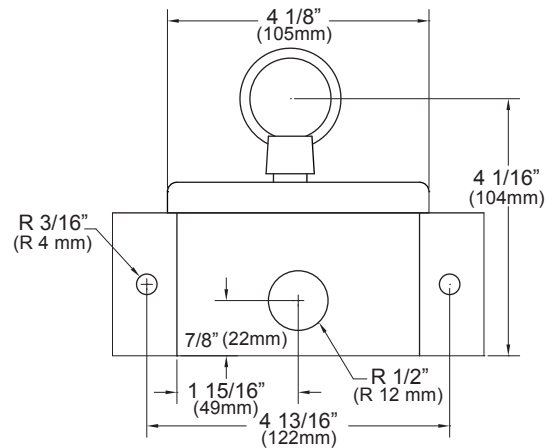
The ceiling pull switches used throughout the complex shall be constructed of die cast aluminum with a rubber gasket to seal against moisture. The ceiling pull switches shall be Nema 1 and Nema 2 compliant for indoor use and Nema 4 compliant for outdoor use. The switches shall be rated for 15A @ 125-250 VAC and shall be UL Listed and CSA approved. With availability to be fitted with a 110V heater where necessary.

## ORDERING INFORMATION

MODEL	DESCRIPTION
CI-SCP1	CEILING MOUNT, DIE CAST ALUMINUM ENCLOSURE, SUPPLIED WITH 20' CORD AND PULL HANDLE, SPDT MOMENTARY, 15A @ 125-250 VAC. NEMA 1, 2, 3R, 4, 6, 12, 13, AND ICS.
CI-WPS1	CEILING OR WALL MOUNT PULL SWITCH WITH 360° ROTATING ARM AND PIVOTING CAM. IDEAL FOR ACTIVATING INDUSTRIAL DOORS OR USE BY LIFT TRUCK OPERATORS, SPST MOMENTARY, 15A @ 125-250 VAC, NEMA 4
CI-WPSH	AS ABOVE, WITH 110V HEATER (SPECIAL ORDER)



CI-SCP1



CI-WPS1