

# Kwikset

# OBSIDIAN

TOUCHSCREEN ELECTRONIC DEADBOLT



**16** User Codes

ANSI GRADE  
**2** **BHMA**  
CERTIFIED



## Features

- Sleek, modern design
- Capacitive touchscreen
- Keywayless
- Tamper resistant interior cover
- 9V battery backup power

## User Codes

- Up to 16 user access codes for family and guests
- Mastercode feature for improved user access code management

## Additional Features

- SecureScreen™ patented security feature helps to ensure that user codes cannot be identified by examining fingerprints on screen

# Kwikset

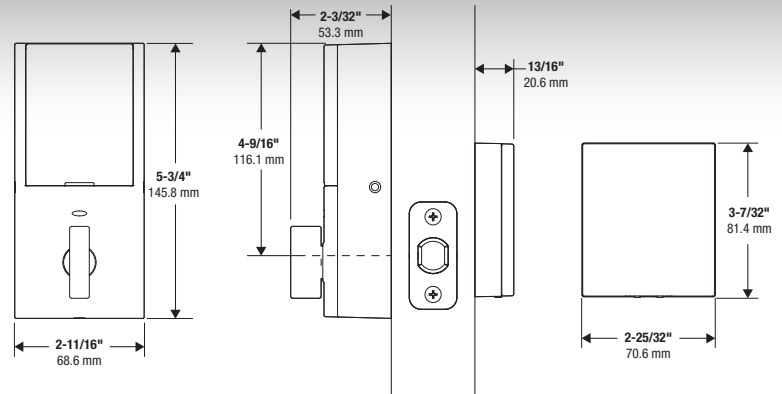
# OBSIDIAN

TOUCHSCREEN ELECTRONIC DEADBOLT

## Specifications

<b>Function</b>	Single Cylinder Deadbolt
<b>Door Prep</b>	1 1/2" and 2 1/8" diameter face hole and 1" diameter latch hole
<b>Backset</b>	Adjustable 2 3/8" or 2 3/4"
<b>Door Thickness</b>	1 3/8" - 2"
<b>Faceplates</b>	1" x 2 1/4" round corner standard
<b>Strikes</b>	Round corner
<b>Latch</b>	Round corner adjustable 2 3/8" x 2 3/4"
<b>Bolt</b>	1" throw, steel deadbolt
<b>Door Handing</b>	Reversible
<b>Batteries</b>	6V (4 x AA alkaline batteries required)

## Dimensions



## Easy Installation

- Installs in minutes with only a screwdriver
- Fits all standard doors
- No new screw holes required
- No hard wiring needed

## Innovation Security

- BHMA Grade 2 Certified
- 128-bit Advanced Encryption Standard (AES) communication
- SecureScreen™ - patented security feature
- Mastercode feature
- 16 user access code capacity

## Finishes



Satin Nickel 15



Venetian Bronze 11P

FINISH AND  
**LIFETIME  
WARRANTY**  
MECHANICAL  
ONE YEAR  
ELECTRONIC WARRANTY

19701 DaVinci, Lake Forest, CA 92610 • Kwikset.com • 1-800-327-LOCK

© 2017 Spectrum Brands, Inc. Kwikset is a trademark of Spectrum Brands, Inc. • 103195-KW