

Installation Instructions

Step 1

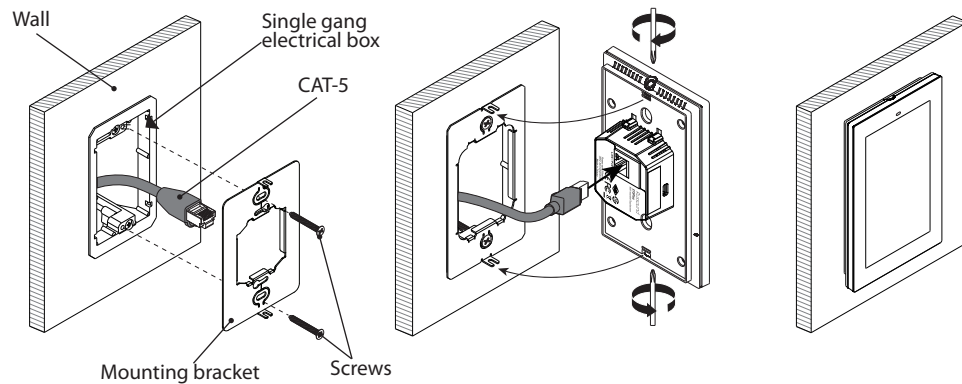
Install the electrical box or P-Ring. The typical recommended mounting height for a wall-mounted touchscreen is for the center of the electrical box/p-ring to be at 59" (150cm) from the floor height. This may be adjusted for user preference, but the 59" height is recommended to accommodate all users.

Note: The electrical box/P-Ring must be a 1-gang piece. Make sure that the box/P-ring is mounted level and flush to the wall surface.

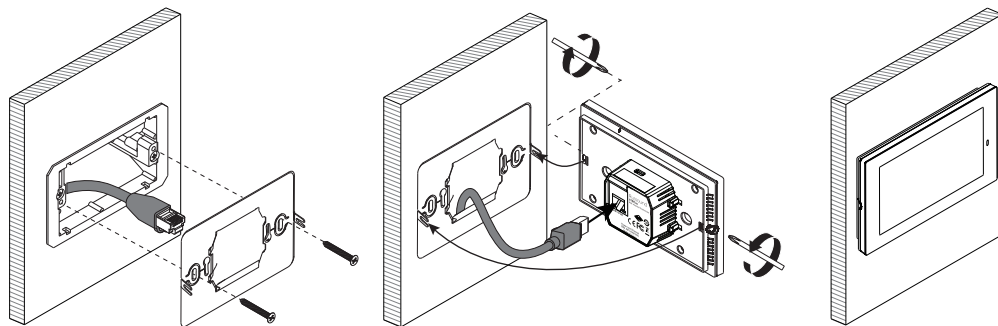
Step 2

Attach the XTSPPlus mounting plate to the electrical box or P-ring using the supplied screws. The plate should be mounted so that the two prongs at either end are facing into the room. These prongs will be used for attaching the XTSPPlus to the mounting plate. There is no specific top or bottom orientation. The plate may be mounted in either orientation as long as the prongs face outwards.

Portrait Orientation - Default setting



Landscape Orientation - The XTSPPlus may also be installed in a landscape orientation, set the "Screen Orientation" setting in the Settings Menu to "Landscape"



Step 3

Attach the PoE Ethernet cable from the electrical box to the rear of the XTSPPlus touchscreen. No other wiring connection is needed.

Note: The XTSPPlus uses a dynamic DHCP network address. A DHCP-reservation may be used on a compatible router when a more permanent IP address is required.

Step 4

Attach the XTSPPlus touchscreen to the mounting bracket by inserting the prongs of the mounting plate into the matching slots on the rear of the XTSPPlus. Make sure that the XTSPPlus is oriented as shown in the diagram below. There are two captive mounting screws. Use a Phillips screwdriver to tighten the screw at both the top and bottom of the XTSPPlus to secure it in place.

Limited Warranty

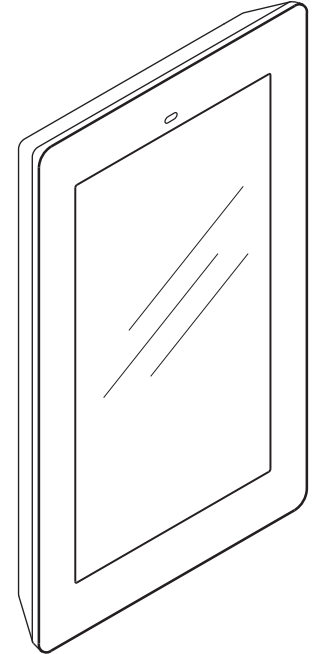
The Russound XTSPPlus is guaranteed for one (1) year from the date of purchase against all defects in materials and workmanship. During this period Russound will replace any defective parts and correct any defect in workmanship without charge for either parts or labor. For this warranty to apply, the unit must be installed and used according to its written instructions. If service is necessary, it must be performed by Russound. Russound assumes no responsibility for defects resulting from abuse or servicing performed by an agency or person not specifically authorized in writing by Russound. Damage to or destruction of components due to improper use voids the warranty. In these cases the repair will be made at the owner's expense. Accidental damage and shipping damage are not considered defects under the terms of the warranty. To return for repairs, the unit must be shipped to Russound at the owner's expense, along with a Return Authorization number and documentation explaining the nature of the service required. Any product returned without prior written permission will be returned to sender. Russound sells products only through authorized Dealers and Distributors to ensure that customers obtain proper support and service. Any Russound product purchased from an unauthorized dealer or other source, including retailers, mail order sellers and online sellers will not be honored or serviced under existing Russound warranty policy. Any sale of products by an unauthorized source or other manner not authorized by Russound shall void the warranty on the applicable product.

Russound

XTSPPlus

Wall-mounted Touchscreen

Installation Manual



Overview

The Russound XTSPPlus is an elegant, in-wall touchscreen with a 5.0" HD display that is designed to be a primary user interface for controlling a compatible Russound audio system. By running the MyRussound™ app, the XTSPPlus allows full control of any zone in a Russound system and provides metadata feedback from compatible sources, including song titles, artist name, album titles, and album art.

Russound

1 Forbes Rd., Newmarket, NH 03857, USA
tel 603.659.5170 • fax 603.659.5388
www.russound.com
technical support: 866.888.7466
e-mail: tech@russound.com

Copyright ©2018 Russound® All rights reserved.
All trademarks are the property of their respective owners. Specifications are subject to change without notice.

High resolution HD Display

The XTSPPlus uses a high performance 5" HD IPS LCD display with a maximum resolution of 1280 x 720. The XTSPPlus display also features projected capacitive technology, the latest touch technology used in smartphones and tablets, enhancing the XTSPPlus with a quicker response time, high durability, and excellent optical performance.

Control Always Available

By placing the powerful MyRussound™ app in a permanent location on a wall, the XTSPPlus gives you full control and easy access to your Russound system, eliminating the need for your phone or tablet to simply change the volume or switch favorites. The XTSPPlus gives you not only the benefit of controlling your entire Russound system from one interface but grants full access and control to your Russound system at any time by placing the MyRussound App in a permanent location.

One-touch access to Favorites

From the Now Playing screen, enjoy one-touch access to your list of system favorites. As soon as your favorite is selected, your Russound audio system will automatically switch to the appropriate source and begin playing your selection.

Custom features available only on the XTSPPlus

While the XTSPPlus runs the MyRussound app, it has been customized with additional features that are needed for an in-wall touchscreen:

Selectable Screen Timeout Delay

The XTSPPlus provides several options for turning off the display after you have stopped using it. The options range from no timeout (display is always active) to up to 10 minutes. There is also an option called "Follow Zone Power" to turn off the display immediately whenever the zone being controlled is turned off. This setting is useful for bedrooms when you would like the XTSPPlus to turn off immediately at night when the zone is turned off.

Clean Screen Mode

The XTSPPlus has a built-in cleaning mode that allows you to clean the screen while the touchscreen is active. Cleaning the screen

while it's active can sometimes result in unwanted button presses. The Clean Screen mode eliminates this problem. Select CLEAN SCREEN in the Settings Menu and all button presses will be ignored until you press and hold the button on the screen to exit cleaning mode. Use a soft, slightly damp, lint-free cloth to clean your XTSPPlus. Avoid getting moisture into openings. Don't use window cleaners, household cleaners, compressed air, aerosol sprays, solvents, ammonia, abrasives, or any cleaners containing hydrogen peroxide.

Easy updates

Unlike some competitors' products that run custom software making it challenging to keep up-to-date, the XTSPPlus makes it easy to keep your interface up-to-date with the latest version of the MyRussound app by performing a simple update from the admin settings menu.

Networking

The XTSPPlus is an IP-networked device. It connects to any available Ethernet connection on the same network as the Russound Controller. The XTSPPlus uses DHCP to connect to the network. If a more permanent IP address is required, use a DHCP reservation for the XTSPPlus in your router configuration.

Convenient PoE Power

The XTSPPlus is fully PoE compatible and is designed to connect to an 802.3af (PoE compatible) network router or switch located on the same network as the Russound devices to be controlled. By using PoE (Power over Ethernet), the XTSPPlus only requires a single CAT5 connection for both data transmission and power.

Admin settings

To enter the Admin Settings menu, press and hold the Settings icon from the Now Playing Screen for 5 seconds until you see the Admin Settings menu appear.

IP Address – This setting allows you to adjust the IP address that the XTSPPlus uses to find the Russound controller on your network. This IP address is normally discovered automatically (using DHCP) and does not need to be adjusted. Russound recommends not changing this setting unless instructed to do so by Russound Technical Support. If a permanent IP address for

the XTSPPlus is desired, set a DHCP reservation for the XTSPPlus in your router configuration.

Enable Developer Options – This setting is for use by Russound Technical Staff only.

Clear cache and data – This setting is used to "refresh" the MyRussound app on the XTSPPlus. All user preferences will be cleared, and the app will restart automatically. User preferences include display timeout settings, screen brightness, etc. Using "Clear cache and data" does NOT affect any information stored on your Russound controller such as room names, source names, favorites, or account settings like usernames or passwords.

Installation Requirements:

1-Gang Electrical Box or P-Ring – The XTSPPlus is designed for mounting into a 1-gang plastic or metal electrical box. The box must be mounted so that the outer edges are flush with or recessed from the wall surface. If using a P-ring with existing construction, the use of a low-profile ring such as the Arlington® LV1LP is recommended.

Wired Ethernet Connection - The XTSPPlus uses a wired Ethernet connection in order to communicate with other Russound equipment. The XTSPPlus must be on the same network as your Russound controller. The XTSPPlus uses DHCP for obtaining a network address.

The XTSPPlus works with both EIA/TIA 568A and 568B wiring

Tools needed



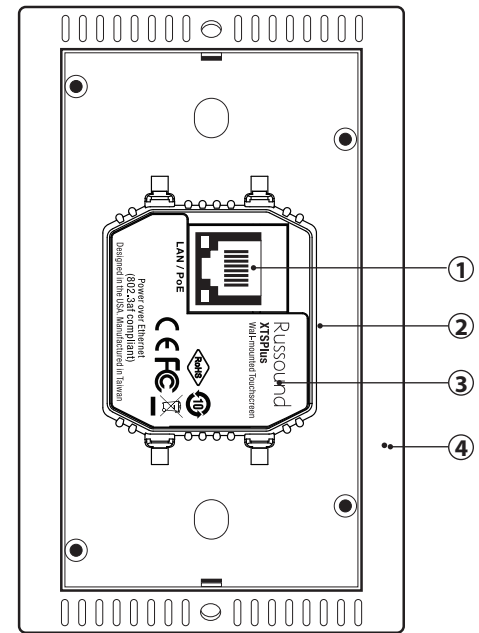
Phillips Screwdriver (#0)

Used to tighten the captive locking screws



Phillips Screwdriver (#2)

Used to attach the XTSPPlus Mounting bracket to the Electrical Box/P-Ring



Back Panel

- ① Ethernet port
- ② USB port (factory use only)
- ③ PoE Power/Ethernet 802.3af
- ④ Reset button

Specifications

Display size: 5.0" (121mm)

Display type: HD

Power requirements: PoE Power - 802.3af compatible

Mounting: Single gang (US and EU)

Dimensions: 3.19" W x 5.08" H x 1.44" D
81 W x 129 x 37 mm

Weight: 3oz

