

## FCC Compliance Statement

**CAUTION:** Changes or modifications not expressly approved by Digital Security Controls could void your authority to use this equipment.

This equipment generates and uses radio frequency energy and if not installed and used properly, in strict accordance with the manufacturer's instructions, may cause interference to radio and television reception. It has been type tested and found to comply with the limits for Class B device in accordance with the specifications in Subpart "B" of Part 15 of FCC Rules, which are designed to provide reasonable protection against such interference in any residential installation. However, there is no guarantee that interference will not occur in a particular installation. If this equipment does cause interference to television or radio reception, which can be determined by turning the equipment off and on, the user is encouraged to try to correct the interference by one or more of the following measures:

- Re-orient the receiving antenna
  - Relocate the alarm control with respect to the receiver
  - Move the alarm control away from the receiver
  - Connect the alarm control into a different outlet so that alarm control and receiver are on different circuits.
- If necessary, the user should consult the dealer or an experienced radio/television technician for additional suggestions. The user may find the following booklet prepared by the FCC helpful: "How to Identify and Resolve Radio/Television Interference Problems". This booklet is available from the U.S. Government Printing Office, Washington, D.C. 20402, Stock # 004-000-00345-4.

## Limited Warranty

Digital Security Controls (DSC) warrants that for a period of one year from the date of purchase, the product shall be free of defects in material and workmanship under normal use and that in fulfillment of any breach of such warranty, DSC shall, at its option, repair or replace the defective equipment upon return of the equipment to its repair depot. This warranty applies only to defects in materials and workmanship and not to damage incurred in shipping or handling, or damage due to causes beyond the control of DSC, such as lightning, excessive voltage, mechanical shock, water damage or damage arising out of abuse, alteration or improper application of the product

The foregoing warranty shall apply only to the original buyer, and shall be in lieu of any and all other warranties, whether expressed or implied and of all other obligations or liabilities on the part of DSC. This warranty contains the entire warranty. DSC neither assumes responsibility for, nor authorizes any other person purporting to act on its behalf, to modify or to change this warranty, nor to assume for it any other warranty or liability concerning this product.

In no event shall DSC be liable for any direct, indirect or consequential damages, loss of anticipated profits, loss of time or any other losses incurred by the buyer in connection with the purchase, installation or operation or failure of this product.

### Important!

**DSC recommends that the entire system be completely tested on a regular basis. However, despite frequent testing, and due to but not limited to criminal tampering or electrical disruption, it is possible for this product to fail to perform as expected.**

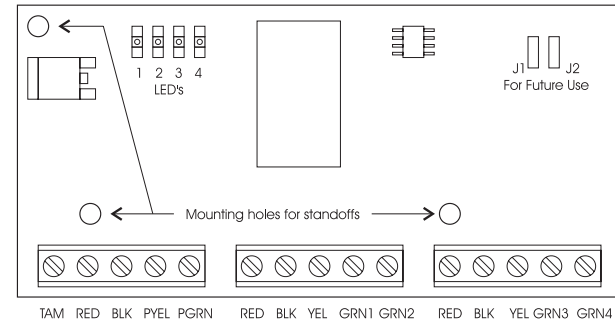
**Note:** This equipment is fixed and shall be installed by Service Persons only (service person is defined as a person having the appropriate technical training and experience necessary to be aware of hazards to which that person may be exposed in performing a task and of measures to minimize the risks to that person or other persons). It shall be installed and used within an environment that provides the pollution degree max 2, over voltages category II, in non-hazardous, indoor locations only.

This manual shall be used in conjunction with the Installation Manual of the alarm control panel. All the instructions specified within that manual must be observed.

# PC5320 Multiple Wireless Receiver Module Installation Instructions

The PC5320 connects to the primary Keybus of a control panel\* and provides four secondary 4-wire connections for up to four wireless receivers. The PC5320 does not provide additional zones but enables the 32 zones to be distributed over a greater area. When programming the first wireless receiver module information, all of the information is stored identically in all of the connected modules.

Figure 1 PC5320 Module.



## SPECIFICATIONS

- Voltage Range...12Vdc - 14Vdc
- Current...55mA, plus current draw of each receiver module connected.

### Compatible Receiver Modules

- PC5132-433 (v3.0 or greater)
- RF5108

**Note:** All receivers MUST be the same type and version.

### \*Compatible Control Panels

- PC580
- PC5008
- P-832
- PC585
- PC5010
- P-8+
- PC1555(MX)
- PC5015
- PC1565
- PC5020

### LED Field

The LEDs on the PC5320 indicate the status of the connected receiver modules. The four LEDs on the PC5320 PCB indicate the status of the connected receivers. The LEDs will not turn on until at least one wireless zone serial number has been programmed. If the PC5320 module loses communication with the receiver, the corresponding LED will flash. If there is a problem with the Keybus between the panel and the PC5320, all LEDs will flash.

### Zone Supervision

All zones are supervised by all of the receivers connected. A zone supervisory trouble will occur if a transmitter supervisory signal is not received by any of the connected receivers during the programmed time period.

### Zone Tamper, Violations, and Restorals

Zone tamper, violations and restorals are processed by the PC5320. When a receiver connected to the PC5320 detects a tamper, violation, or restoral, the PC5320 will send the information to the panel.

### Module Tamper & Troubles

The PC5320 tamper has a tamper input. If the PC5320 has a tamper condition the panel will display 'PC5132 Tamper'. If a receiver connected to the PC5320 has a tamper condition, the panel will display 'PC5132 Tamper'. The tamper trouble will not be restored until the tamper is restored on the PC5320 module and all connected receivers.



## INSTALLATION

Refer to Figures. 1,2, and control panel *Installation Manual* for wiring details.

### 1. Select a location

Select a location that ensures that the maximum wire run distances do not exceed the guidelines indicated in Figure 2. The PC5320 can be mounted in the existing control panel or a separate plastic housing (refer to the control panel *Installation Manual*). Locate module so that service personnel will have easy access to the LEDs for troubleshooting and diagnostics.

### 2. Remove System Power

### 3. Install PC5320 Module

Insert the three standoffs (provided) into the cabinet. Press firmly until standoffs click into place. Align the module mounting holes over the standoffs and press module firmly into place. Route the secondary bus wire in accordance with local regulations.

### 4. Wiring Receivers

Wire the receivers to the secondary terminals of the PC5320 module as follows. RED, BLK and YEL are common to all receivers. Connect the GRN wire of each receiver to GRN1, GRN2, GRN3 and GRN4 as required.

**Notes:** One receiver *MUST* be connected to GRN1 to ensure proper operation. Ensure that the connections to the terminals are secure before applying power.

### 5. Enroll Zones

Refer to the receiver *Installation Manual* to enroll wireless devices. Enroll each wireless device and then program the zones and partitions as required.

**Note:** The control panel sees the PC5320 as a single receiver. Programming is passed through the PC5320 to all receivers, so that they are all programmed identically.

### 6. Perform Module Placement Test

The module placement test is used to find a good location for the transmitter. Perform multiple module placement tests before mounting a transmitter to ensure good placement (refer to the receiver *Installation Manual* for more information).

The PC5320 will send the best test to the panel. For example, if one receivers indicates a 'Bad' test result, and one displays a 'Good' test result, then a 'Good' test result will be displayed.

**Notes:** The control panel will not allow a module placement test on a zone if one or more receivers do not have a serial number for a zone programmed. The keypad will emit a steady error tone when the zone number is entered. This can happen if a receiver is added or replaced after the initial programming. If a receiver is added or replaced after initial programming, all wireless data must be programmed again. The information can be downloaded or programmed using a keypad.

When programming using a keypad, the correct wireless information may appear on the display. Re-enter the information by typing over the displayed information with the same information.

### 7. PC5132 Programming

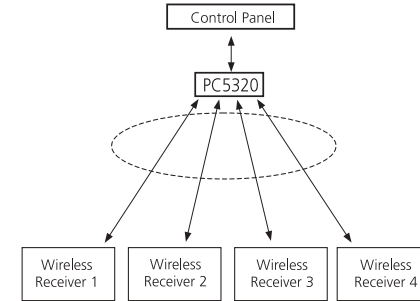
Wireless programming is not allowed if any of the receivers connected to the PC5320 are in supervisory trouble (i.e., missing from the Keybus). If a receiver is removed from the PC5320, the PC5320 supervision must be reset. To reset PC5320 supervision, turn ON option [1] in section [804], subsection [97]. After resetting supervision, the PC5320 will automatically turn the option OFF.

Press [\*8] [Installer Code] [804] [97] [1] [#]

Default	Option	ON	
OFF	<input type="checkbox"/>	1	Reset PC5320 Enrolled Field
OFF	<input type="checkbox"/>	2	Not Used
OFF	<input type="checkbox"/>	3	Not Used
OFF	<input type="checkbox"/>	4	Not Used
OFF	<input type="checkbox"/>	5	Not Used
OFF	<input type="checkbox"/>	6	Not Used
OFF	<input type="checkbox"/>	7	Not Used
OFF	<input type="checkbox"/>	8	Not Used

**Note:** If a wireless zone is violated when in Installer Programming, the zone will show as violated when programming is exited. After exiting programming, ensure that the status of all wireless zones is correct. If a wireless zone indicates it is violated when it is actually secure, the zone must be violated, then restored to confirm proper zone status.

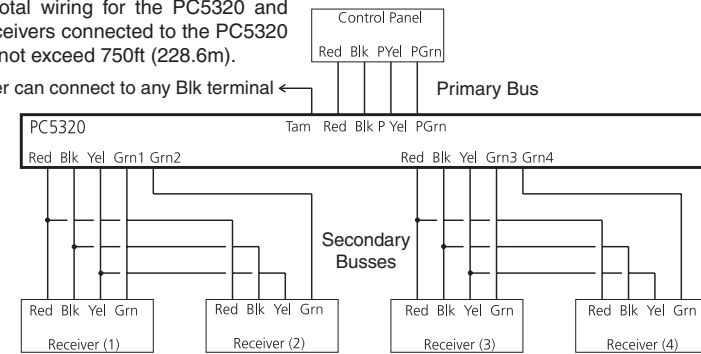
## Figure 2 PC5320 Wiring Diagrams



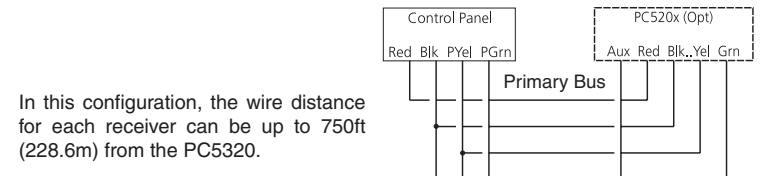
### Figure 2a Connecting the PC5320 to the Panel

The total wiring for the PC5320 and all receivers connected to the PC5320 must not exceed 750ft (228.6m).

Tamper can connect to any Blk terminal ←



### Figure 2b Connecting the PC5320 to the Panel with a Separate Power Supply



Tamper can connect to any Blk terminal ←

