

HES K20 Series Cabinet Lock

Stand-Alone RFID Cabinet Lock



The cost effective solution for stand-alone RFID access control to secure drawers or doors.

The battery operated K20 is the flexible, low cost cabinet locking solution for low to medium security applications with 150 lbs of holding force.

Features

Standard Features

- Stand-alone access control
- No audit trail
- 13.56 MHz RFID card technology (cards sold separately)
- LEDs indicate valid/invalid access
- Supports 1 to 20 master credentials
- Supports 1 to 20 user credentials
- Aluminum die-cast construction
- Non-handed
- Installs on wood or metal cabinet drawers or doors 1/16" to 7/8" [1 – 23 mm] thick
- SecuriCare three-year, no-fault, no questions asked warranty

Optional Features

- Supports 3rd party locking cams (i.e. hook)



3
Year
SecuriCare
Warranty



Swinging
Door



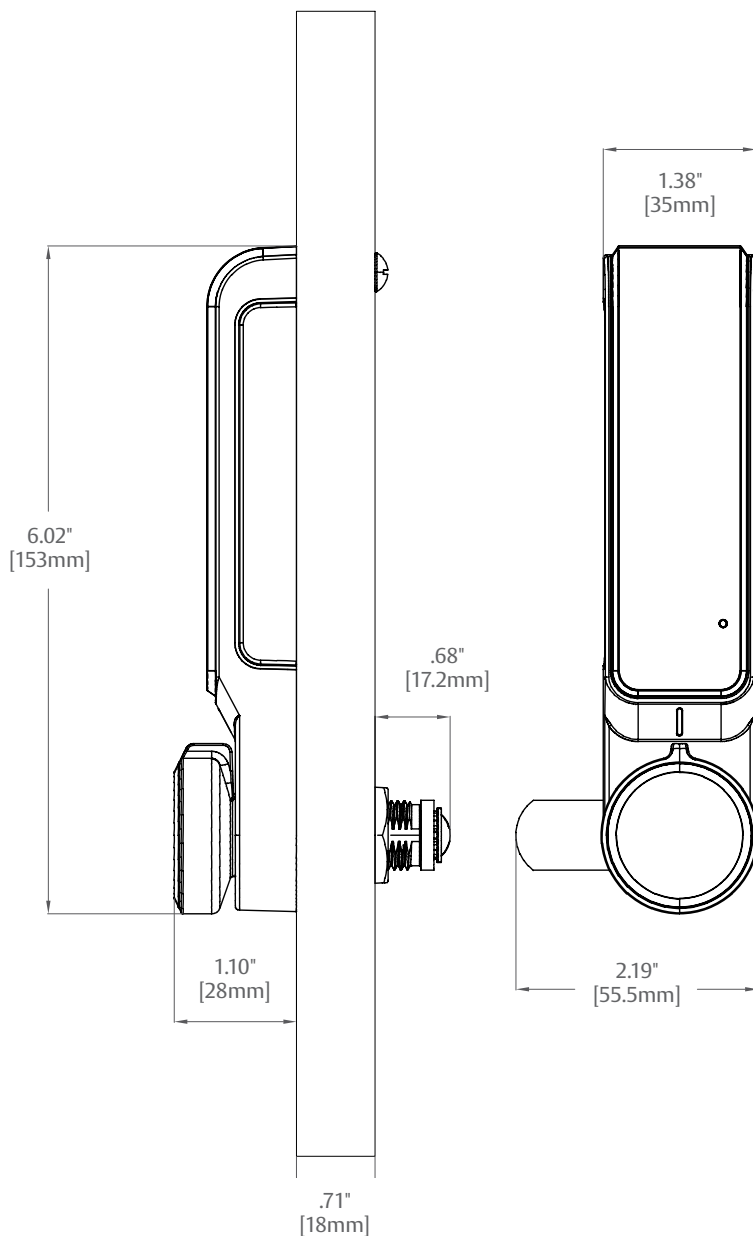
Drawers



Battery
Backup

HES K20 Series Cabinet Lock

Dimensions



Specifications

Certifications

- FCC Part 15 & Industry Canada compliant
- EU/CE Mark (EN 300 & 301)
- RoHS compliant

Electrical

- 30,000 cycles
- 3 x AAA alkaline batteries (not included)
- External emergency power through micro USB

Holding Force

- Static strength 150 lbs

Environmental

- Operating Temperature: 32° to 122°F [0° to 50°C]
- Humidity: 0 to 90% RH
- Indoor use

Card Technology

- High Frequency (13.56 MHz)
 - MIFARE Classic™
 - MIFARE Ultralight™

HES KP20 Series Cabinet Lock

Stand-Alone Keypad Cabinet Lock



The cost effective solution for stand-alone keypad access control to secure drawers or doors.

The battery operated KP20 is the flexible, low cost cabinet locking solution for low to medium security applications with 150 lbs of holding force.

Features

Standard Features

- Stand-alone access control
- No audit trail
- 12 button keypad
- LEDs indicate valid/invalid access
- Supports one (4 – 12 digit) master code
- Supports one (4 – 12 digit) user code
- Aluminum die-cast construction
- Non-handed
- Installs on wood or metal cabinet drawers or doors 1/16" to 7/8" [1 – 23 mm] thick
- SecuriCare three-year, no-fault, no questions asked warranty

Optional Features

- Supports 3rd party locking cams (i.e. hook)



3
Year
SecuriCare
Warranty



Swinging
Door

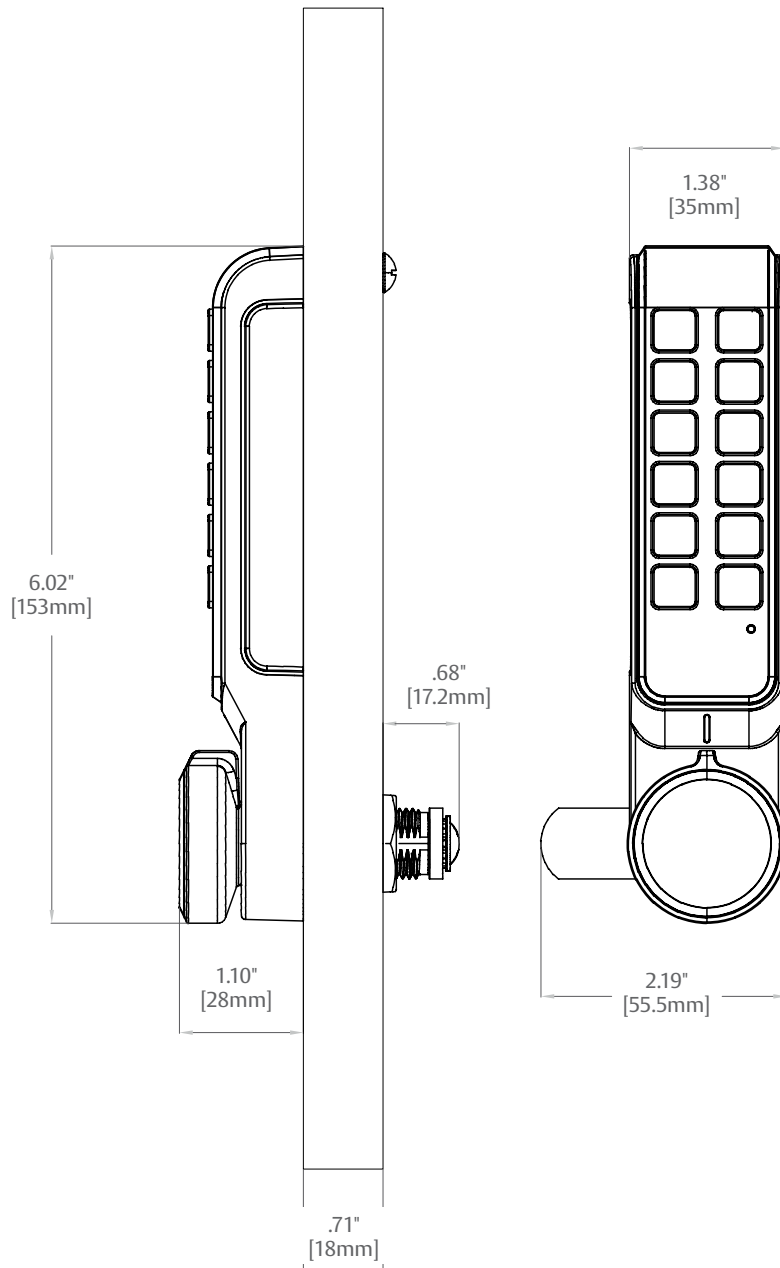


Drawers



Battery
Backup

Dimensions



Specifications

Certifications

- FCC Part 15 & Industry Canada compliant
- EU/CE Mark (EN 300 & 301)
- RoHS compliant

Electrical

- 30,000 cycles
- 3 x AAA alkaline batteries (not included)
- External emergency power through micro USB

Holding Force

- Static strength 150 lbs

Environmental

- Operating Temperature: 32° to 122°F [0° to 50°C]
- Humidity: 0 to 90% RH
- Indoor use

Keypad Technology

- 12-Button Keypad
 - One master code (4 – 12 digit)
 - One user code (4 – 12 digit)