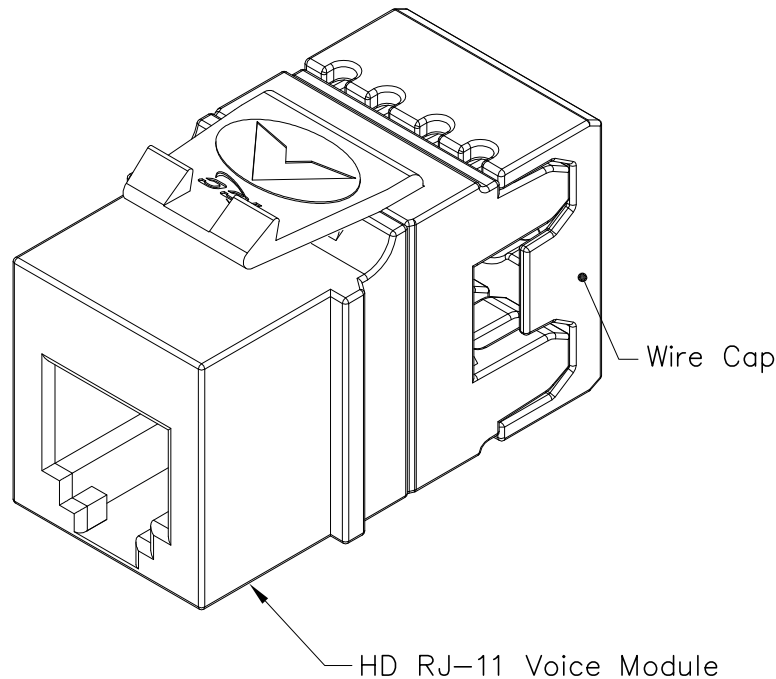


6P6C High Density RJ-11 Voice Module

PRODUCT SPECIFICATION

Package includes:

- A. 6P6C HD RJ-11 Voice Module, 1 pc
- B. Wire Cap, 1 pc



Features and Benefits:

- Designed for all voice connectivity applications
- PCB technology provides maximum performance and superior signal quality
- Engineered to provide 110 IDC termination reducing installation time
- Reduced rear footprint allows for greater connectivity density and provides for more port configurations in a smaller area
- Includes an integrated USOC/UTP color wiring diagram
- Compatible with all IC107 faceplates, inserts, surface mount boxes, and blank patch panels
- Compatible with all IC108 furniture faceplates, bezels, and surface mount boxes
- Used with ICC ICLC2, ICLC4, ICLC6 line cords and 110 punch down tool ICACSPDT00
- Available in almond, black, blue, gray, green, ivory, orange, purple, red, white, and yellow
- UL listed

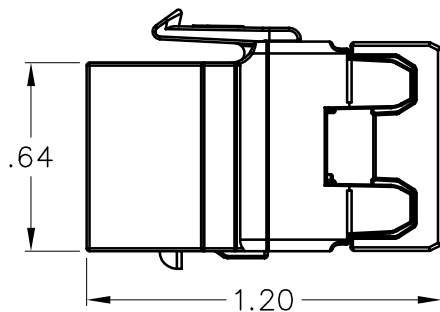
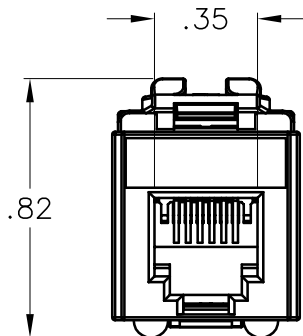
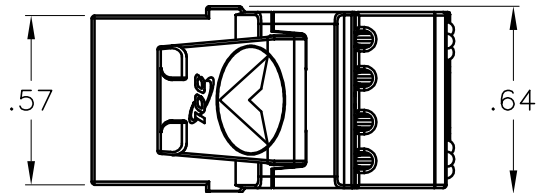
MODULE, VOICE, RJ-11, HD

ITEM NO.	IC1076FOXX
DWG NO.	PS1076F000

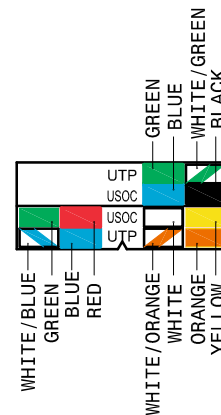
REV.	C
PAGE NO.	1



CUSTOMER CARE / TECHNICAL SUPPORT * CSR@ICC.COM / 888-ASK-4-ICC (275-4422) * 14700 Alondra Blvd., La Mirada, CA 90368* www.icc.com



WIRING DIAGRAM



NOTE: UNLESS OTHERWISE SPECIFIED

1. RJ-11 VOICE MODULE:

A. ELECTRICAL:

- CURRENT RATING: 1.5 AMPS MAX
- VOLTAGE RATING: 150 VOLTS ALTERNATING
- DIELECTRIC WITHSTANDING VOLTAGE: 1000 VOLTS RMS, 60 HZ
- INSULATION RESISTANCE: > 10 MOHMS

B. MECHANICAL:

- MATED FORCE: 5 LBS MAX
- UNMATED FORCE: 5 LBS MAX
- PLUG RETENTION FORCE: 20 LBS MIN
- DURABILITY: 750 CYCLES

C. PHYSICALS:

- HOUSING: ABS, UL 94V-0
- CONTACT: PHOSPHOR BRONZE GOLD PLATING OVER 100 INCHES OF NICKEL
- GOLD PLATING: 1.27 MICRON/50 MICRO INCH MIN
- CONNECTOR: INSULATION DISPLACEMENT CONNECTOR (IDC)

ACCEPTS 22~24 AWG SOLID WIRE

D. COLORS: XX: AL-ALMOND, BK-BLACK, BL-BLUE, GN-GREEN, GY-GRAY, IV-IVORY, OR-ORANGE, PR-PURPLE, RD-RED, WH-WHITE, & YL-YELLOW

2. TERMINATION CAP:

- A. MATERIAL: PC, UL 94V-0
- B. COLOR: CLEAR

CAT 3 CONNECTING HARDWARE REQUIREMENTS					
FREQUENCY (MHz)	1.0	4.0	8.0	10.0	16.0
NEXT LOSS (db)	58.1	46.0	40.0	38.1	34.0
FEXT LOSS (db)	N/S	N/S	N/S	N/S	N/S
RETURN LOSS (db)	N/S	N/S	N/S	N/S	N/S
INSERTION LOSS(db)	0.10	0.20	0.28	0.32	0.40

UL US FILE NO. 125268

MODULE, VOICE, RJ-11, HD

ITEM NO. IC1076FOXX
 DWG NO. PS1076F000

REV. C
 PAGE NO. 2

ICC
 Premium Products
 Proven Performance
 Competitive Prices

CUSTOMER CARE / TECHNICAL SUPPORT * CSR@ICC.COM / 888-ASK-4-ICC (275-4422) * 14700 Alondra Blvd., La Mirada, CA 90368 * www.icc.com