

FIREWOLF

BY NAPCO

INSTALLATION INSTRUCTIONS FOR FWC-FSLC-PULL ADDRESSABLE MANUAL PULL STATION

The information contained in this installation instruction is a quick reference guide. For detailed system information refer to the NAPCO's control panel or SLC Module installation manual. This instruction is generic and will not address specific programming procedures.

GENERAL DESCRIPTION:

This installation guide applies to the FWC-FSLC-PULL Addressable Manual Pull Stations. These devices are powered by a Napco compatible Signaling Line Circuit (SLC) utilizing the Napco (DCP) digital communications protocol. Each FWC-FSLC-PULL module can be programmed (in EEPROM) with an address between 1 and 127 using the FWC-FSLC-PROG2 handheld programmer (see Figure 1). Up to 126 FWC-FSLC-PULL manual pull stations can be used on the same SLC loop.

Models covered by this instruction are as follows:

- | | |
|-----------------|---|
| FWC-FSLC-PULL | Addressable Manual Pull Station |
| FWC-FSLC-PULLK | Addressable Manual Pull Station Lift and Pull (Dual Action) |
| FWC-FSLC-PULL2 | Addressable Manual Pull Station Key Lock Access |
| FWC-FSLC-PULL2K | Addressable Manual Pull Station Key Lock Access Lift and Pull (Dual Action) |

MOUNTING REQUIREMENTS:

The FWC-FSLC-PULL stations mount to a single gang electrical back box as shown in Fig. 2.

WIRING:

All wiring must conform to local codes, ordinances and regulations. The SLC wiring to the FWC-FSLC-PULL manual pull stations can be wired in a Class B (style 4) or Class A (style 6) configuration. Class A (style 7) can be achieved with the use of FWC-FSLC-ISO short circuit isolators. Please see Figure 3, 3A & 3B for proper wiring.

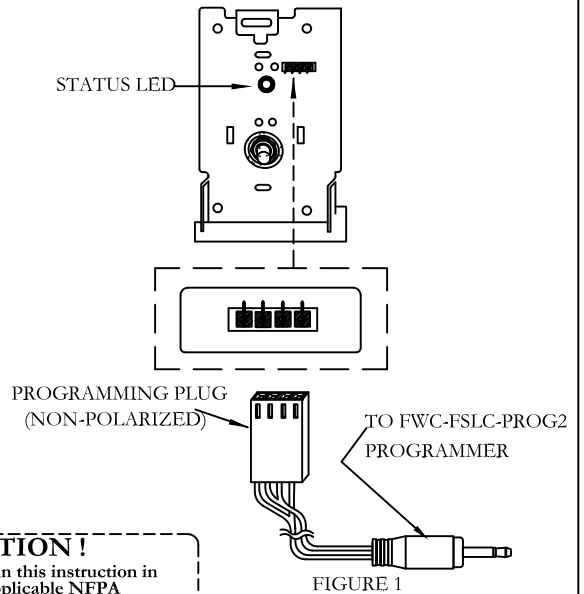
Note:

Radio Frequency Interference and Electro-Magnetic Interference are sources of noise that can adversely affect the fire alarm systems installation. When installing fire alarm system devices, avoid placing devices or wiring close to potential noise sources such as:

- Transmitters or antennas;
- Ballast lighting;
- Electrical motors;
- Large power transformers;
- Large machines.

Avoid running SLC circuit in the same conduit as power lines. Utilize twisted pair and shielded wire in environments where excessive noise is expected.

FWC-FSLC-PULL MODULE ADDRESS PROGRAMMING CONNECTION AND INDICATOR



CAUTION!
Install the devices in this instruction in accordance with applicable NFPA standards, local codes, and the authorities having jurisdiction. Failure to follow these instructions may result in failure of the system to operate as intended. Napco is not responsible for devices that have been improperly installed, tested, or maintained.

CAUTION!
To ensure proper operation connect this module to a compatible Fire Control Panel only. Refer to panel instructions for proper connection and compatibility.

CAUTION!
If this device will be installed in an existing operational system, inform the operator and local authority that the system will be temporarily out of service. Disconnect power to the control panel before installing the device.

NOTE: An average of 6.75mA (communication current) per loop of SLC devices, must be factored into the panel battery backup calculations.

SPECIFICATIONS	
SLC Applied Voltage	Rated Range 25.3 – 39 VDC
SLC Current Consumption	Maximum 660µA, Surge current: 30mA (in 5ms.), Alarm: 8mA with Alarm LED latched Nominal 550µA
Visual Indicator (Status LED)	bi-color LED – Green & Red Color & Mode – Selected and Programmed by Control Panel's software
Operating Temperature Range	0°C (32°F) ~ 49°C (120°F)
Storage Temperature Range	-30°C (-22°F) ~ 70°C (158°F)
Maximum Relative Humidity	Up to 90% RH non-condensing
Environment	Indoor dry use only
Dimensions	3.4"W X 14.8"H X 2.0"D
Weight	Approximately 19 ounces

Firewolf™ is a Registered trademark of NAPCO.



Napco Security Systems, Inc.
333 Bayview Avenue * Amityville, NY 11701
Phone: (800) 645-9445 (631) 842-9400 Fax: (631) 789-3383

WI1736A
(PG 1 OF 2)

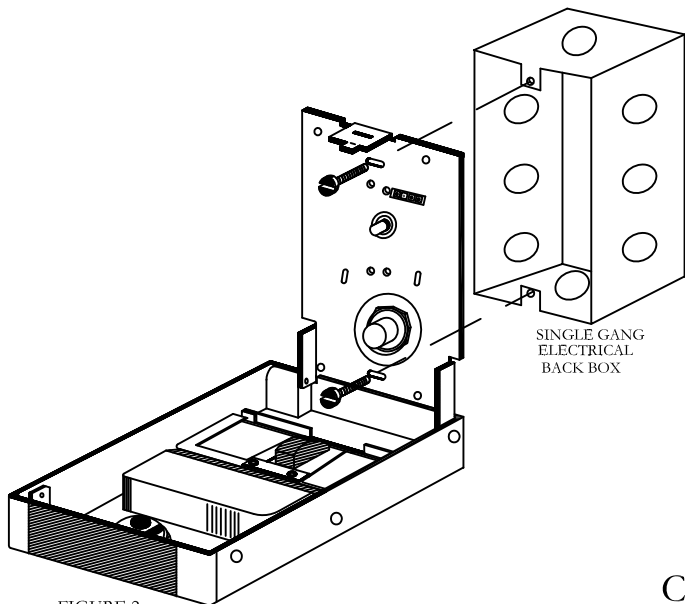
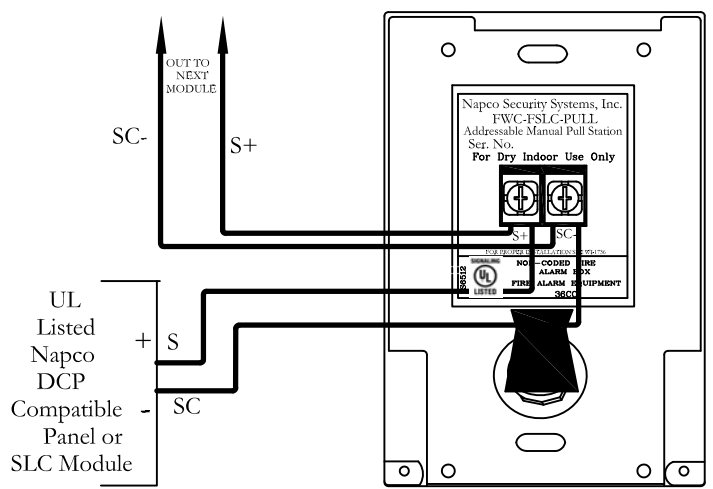
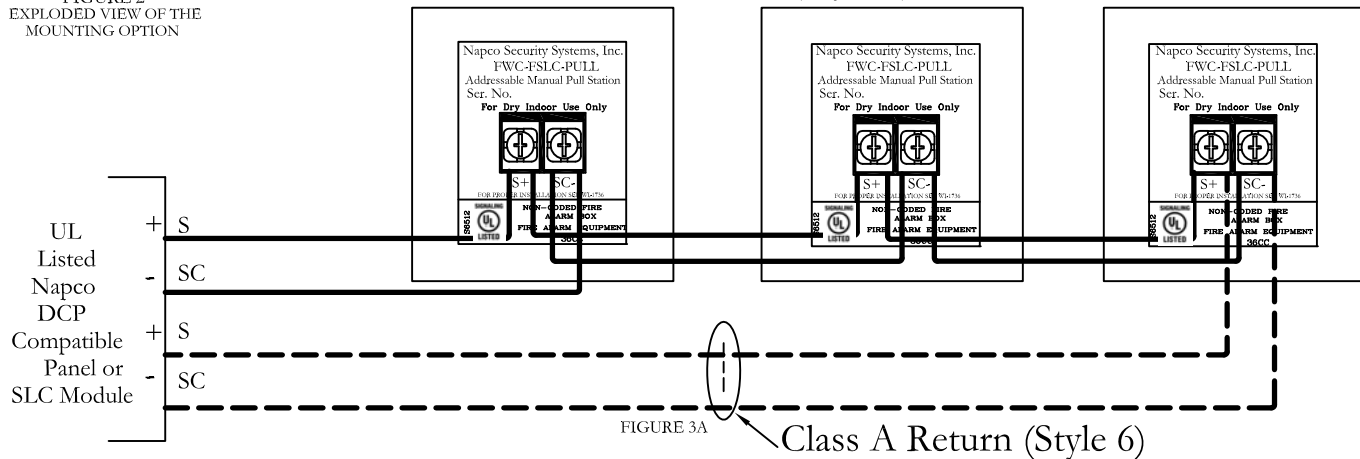


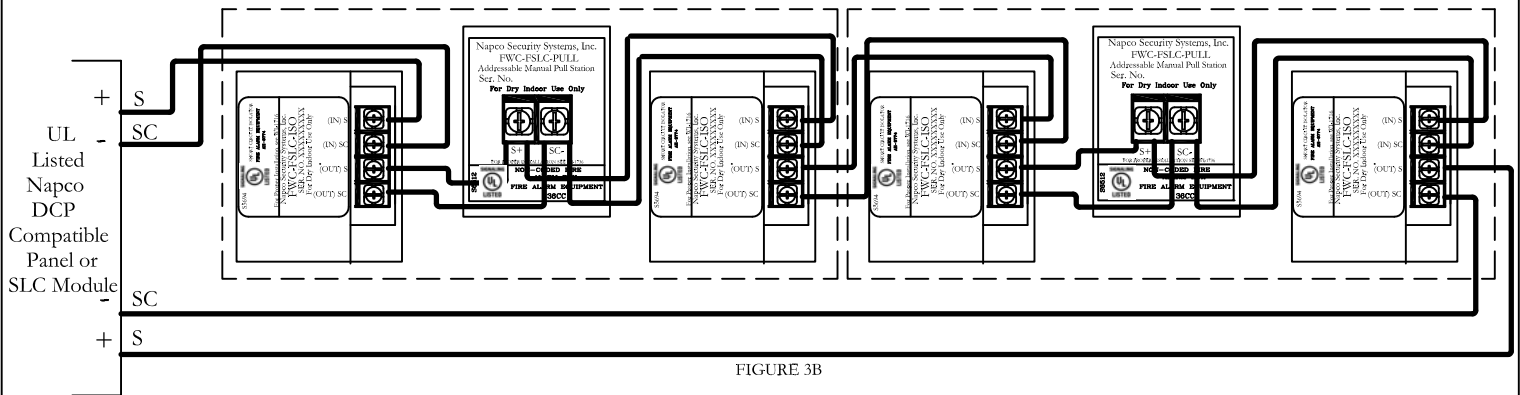
FIGURE 2
EXPLODED VIEW OF THE MOUNTING OPTION



Class B (Style 4)



Class A (Style 7)



NOTE: Only the same size wire from 12 to 22 AWG may be connected terminal block TB1 when more than one conductor is being connected under each terminal. Maximum of 2 conductor per terminal.