



CX-WEC SERIES

EMERGENCY CALL SYSTEMS FOR UNIVERSAL AND BARRIER FREE RESTROOMS

IN THE EVENT OF AN EMERGENCY
PUSH EMERGENCY BUTTON
AND AUDIBLE AND VISUAL SIGNAL
WILL ACTIVATE



CX-WEC10 KIT

FEATURES

- COMPLETE EQUIPMENT PACKAGES SPECIFICALLY DESIGNED TO MEET THE REQUIREMENTS OF ONTARIO REG. 368/13 AMENDMENT TO 2012 OBC FOR BARRIER FREE & UNIVERSAL RESTROOMS.
- DESIGNED FOR UNIVERSAL RESTROOMS WITH OR WITHOUT LOW ENERGY DOOR OPERATORS.
- FOR USE WITH CAMDEN CX-WC SERIES BARRIER FREE RESTROOM CONTROL KITS.
- AUDIBLE AND VISUAL ANNUNCIATION OUTSIDE RESTROOM OF AN EMERGENCY CONDITION
- WITH 'PUSH/PULL' 'PRESS FOR EMERGENCY ASSISTANCE' MAINTAINED MUSHROOM PUSH BUTTON OR WITH LATCHING RELAY FOR USE WITH MOMENTARY SWITCHES, INCLUDING TAPE (RIBBON) SWITCHES
- 3 YEAR WARRANTY

DESCRIPTION

Camden Door Control CX-WEC Series offer a range of components and complete equipment packages designed to meet building code requirements for universal restrooms. Emergency call system kits include a push/pull mushroom 'PRESS FOR ASSISTANCE' push button, or the option to use a momentary switch. Audible and visual annunciation of the request for assistance is provided inside the restroom by a flush mount single gang LED annunciator with adjustable sounder, and outside the restroom by a single gang dome light with adjustable sounder. If activation and annunciation in one product is desired, a double gang mushroom button and LED annunciator combo unit is offered. All equipment packages include an 'IN THE EVENT OF AN EMERGENCY' instructional sign, with 1" (25mm) lettering, as required by code. CX-WEC Series emergency call systems are available in English, French and Bilingual.

APPLICATION

Camden Door Controls CX-WEC Series emergency call systems and components are specifically designed to meet the latest requirements of Ontario regulation 368/13 amendment to the 2012 Ontario Building Code, for barrier free and universal restrooms. They are designed for universal restrooms with or without low energy door operators. System kits include a wide selection activation switches, audible and visual annunciation and signage.

ELECTRIC STRIKES

CABINET LOCKS

MAGNETIC LOCKS

DOOR ALARMS

RELAYS & TIMERS

POWER SUPPLIES

TRANSFORMERS

ANNUNCIATORS

RESTROOM CONTROL KITS

EMERGENCY CALL SYSTEM FOR UNIVERSAL & BARRIER FREE RESTROOMS

COMPONENTS

See individual product spec sheets for a complete list of product information for each model shown.

CM-450R/12

- 1 5/8" MUSHROOM PUSH BUTTON, PUSH/PULL, 'PRESS FOR EMERGENCY ASSISTANCE'
- PUSH/PULL MAINTAINED OPERATION
- SINGLE GANG STAINLESS STEEL FACEPLATE
- 5 INPUTS, INCLUDING A 'WET' INPUT
- LARGE 3 SEGMENT DISPLAY IS EASIER TO VIEW AND UNDERSTAND, THAN COMPETITIVE MODELS.



CM-450R/12

CM-AF501S0

- SINGLE GANG LED ANNUNCIATOR WITH ADJUSTABLE SOUNDER
- WHITE OUT 'ASSISTANCE REQUESTED' MESSAGE ONLY LEGIBLE UPON ACTIVATION
- SINGLE GANG LED ANNUNCIATOR WITH ADJUSTABLE SOUNDER
- SINGLE GANG HEAVY DUTY BRUSHED STAINLESS STEEL FACEPLATE
- SUPER BRIGHT LED ILLUMINATION
- FIELD ADJUSTABLE 85 DB PIEZO SOUND ALERT, DESIGNED TO CONFIRM REQUEST



CM-AF501S0

CM-AF540S0

- DOUBLE GANG 'PRESS FOR EMERGENCY ASSISTANCE' PUSH BUTTON & LED ANNUNCIATOR
- DOUBLE GANG, COMBINING ACTIVATION AND ANNUNCIATION IN ONE DEVICE
- 1-5/8" MAINTAINED MUSHROOM PUSH BUTTON
- SUPER BRIGHT LED ILLUMINATION
- WHITE OUT 'ASSISTANCE REQUESTED' MESSAGE ONLY LEGIBLE UPON ACTIVATION



CM-AF540S0

CM-AF141S0

- 'ASSISTANCE REQUIRED' DOME LIGHT WITH ADJUSTABLE SOUNDER
- WEATHER AND VANDAL RESISTANT
- LOUD 93 DB PIEZO SOUNDER, WITH VOLUME ADJUSTMENT
- SUPER BRIGHT LED ILLUMINATION
- 'ASSISTANCE REQUIRED' TEXT ON LENS (ENG., FR. AND BILINGUAL)
- FOR INDOOR OR OUTDOOR USE



CM-AF141S0

CM-8010/13

- MOMENTARY, 'PRESS FOR RESET' 1" RED PUSH BUTTON
- CONVENIENT RESET OF EMERGENCY CALL SYSTEM WHEN UTILIZING MOMENTARY 'PRESS FOR EMERGENCY ASSISTANCE' SWITCHES.
- VANDAL RESISTANT, CAST ALUMINUM FACEPLATE WITH METAL BUTTON COLLAR
- LASER ETCHED GRAPHIC TEXT



CM-8010/13

CM-1205/14

- MOMENTARY, 'W/C SYSTEM RESET' FLUSH MOUNT KEY SWITCH, WITH CYLINDER & KEYS
- SECURE RESET OF EMERGENCY CALL SYSTEM WHEN UTILIZING MOMENTARY 'PRESS FOR EMERGENCY ASSISTANCE' SWITCHES.
- HEAVY GAUGE STAINLESS STEEL FACEPLATE
- SOLID BRASS MORTISE KEY CYLINDER WITH 2 KEYS
- LASER ETCHED GRAPHIC TEXT



CM-1205/14

EMERGENCY CALL SYSTEM FOR UNIVERSAL & BARRIER FREE RESTROOMS

CX-LRS12/ CX-LRS24

LATCHING RELAY ASSEMBLY FOR EMERGENCY CALL SYSTEM

- FOR USE WITH MOMENTARY 'PRESS FOR ASSISTANCE' SWITCHES
- SELECTION OF 12V OR 24V LATCHING RELAYS



CM-LRS-12

CM-SE21A

INSTRUCTIONAL SIGNAGE FOR UNIVERSAL RESTROOMS

- COMPLIES WITH ONTARIO BUILDING CODE REQUIREMENTS
- FIRE RATED EXPANDED PVC
- WHITE, 1/16" (1.6MM) THICK PANEL, 6"H X 10 5/8"W, (152MM X 270 MM)
- RED 1" (25MM) LETTERING
- EASILY MOUNTS TO WALL (GLUE OR SCREWS)

IN THE EVENT OF AN EMERGENCY
PUSH EMERGENCY BUTTON
AND AUDIBLE AND VISUAL SIGNAL
WILL ACTIVATE

CM-SE21A

SPECIFICATIONS

CM-450R/12

MUSHROOM PUSH BUTTON, PUSH/PULL, 'PRESS FOR EMERGENCY ASSISTANCE'

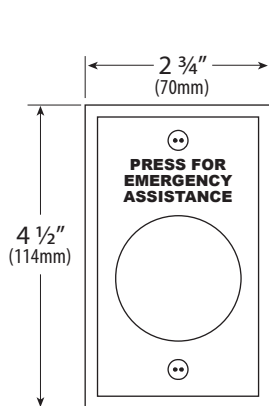
VOLTAGE:	12/24V AC/DC
CONTACT TYPE:	DPST, MAINTAINED
CONTACT RATING:	10 AMPS
STD. FINISH:	STAINLESS STEEL

DANS LE CAS D'UNE URGENCE
POUSSER LE BOUTON D'URGENCE
POUR ACTIVER LE SIGNAL
SONORE ET VISUEL

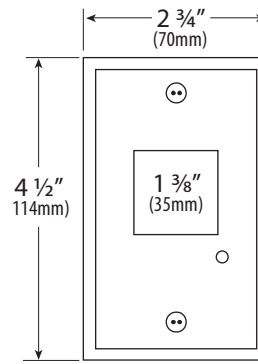
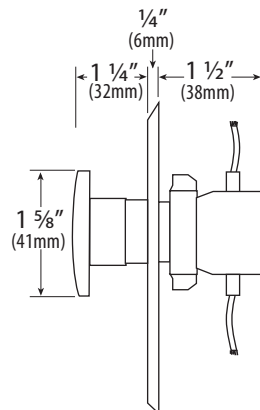
CM-SF20A

CM-AF501S0

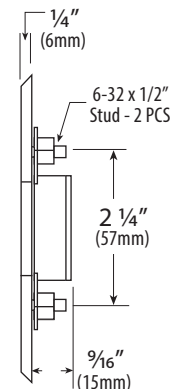
VOLTAGE:	12/30V AC/DC
CURRENT DRAW:	30 - 75MA
SOUNDER:	ADJUSTABLE, 85DB @ 10CM MAX.
STD. FINISH:	STAINLESS STEEL



CM-450R/12



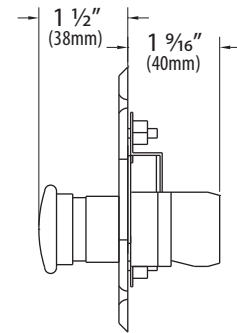
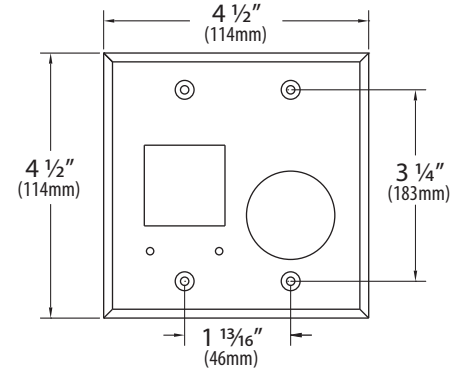
CM-AF501S0



EMERGENCY CALL SYSTEM FOR UNIVERSAL & BARRIER FREE RESTROOMS

CM-AF540SO

VOLTAGE:	12/30V AC/DC
CURRENT DRAW:	30 - 75MA
CONTACT TYPE:	DPST
CONTACT RATING:	10 AMPS



CM-AF540SO

CM-AF141SO

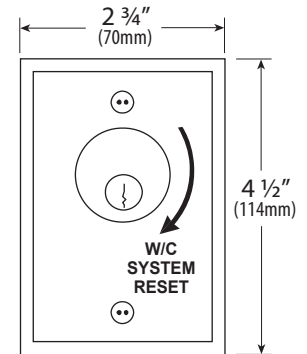
VOLTAGE:	12-24V AC/DC
CURRENT DRAW:	40 - 70 MA
SOUNDER:	ADJUSTABLE, 93DB @ 1 METER MAX. (3FEET)
FINISH:	WHITE.

CM-8010/13

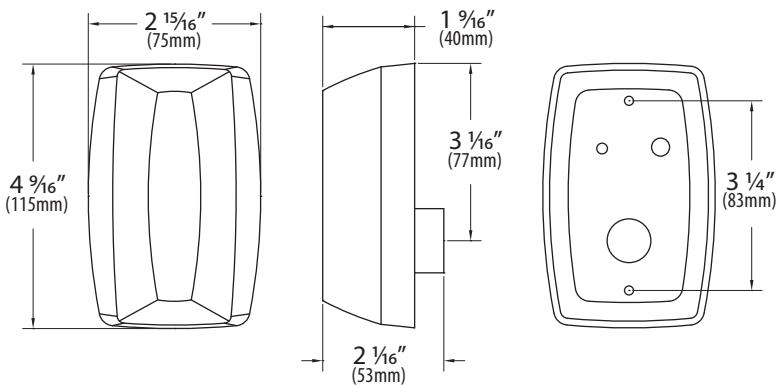
VOLTAGE:	12/24 VDC
CONTACT TYPE:	N/C SPST
CURRENT RATING:	6A@30V DC
SWITCH TYPE:	MOMENTARY
FINISH:	BRUSHED ALUMINUM

CM-1205/14

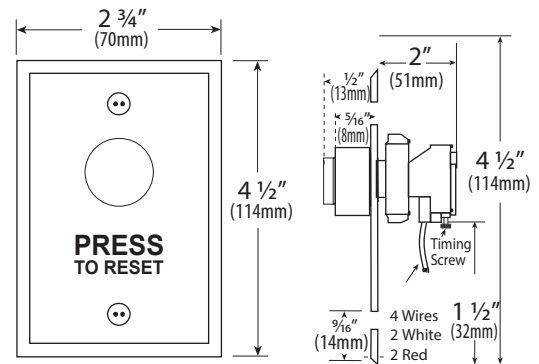
VOLTAGE:	12/24V AC/DC
CONTACT TYPE:	SPST MOMENTARY, N/C
CONTACT RATING:	6 AMPS
SWITCH LIFE:	ALL: 100,000 CYCLES
STD. FINISH:	STAINLESS STEEL



CM-1205/14



CM-AF141SO



CM-8010/13

EMERGENCY CALL SYSTEM FOR UNIVERSAL & BARRIER FREE RESTROOMS

ORDERING INFORMATION

EQUIPMENT PACKAGE

CX-WEC10 UNIVERSAL RESTROOM KIT FOR USE WITHOUT AUTOMATIC DOOR OPERATOR, OR WITH CX-WC 10, 11, 12, 13 & 14 BARRIER-FREE RESTROOM CONTROL KIT.

- CM-450R/12 'PRESS FOR EMERGENCY ASSISTANCE' MUSHROOM PUSH BUTTON
- CM-AF501SO LED ANNUNCIATOR WITH SOUNDER
- CM-AF141SO DOME LIGHT WITH SOUNDER
- CM-SE21A WHITE PANEL SIGN 6" H X 10 5/8" W (152MM X 270MM).

ADD SUFFIX 'F' TO MODEL NUMBER FOR FRENCH LANGUAGE.

CX-WEC10FE BILINGUAL UNIVERSAL EMERGENCY CALL KIT FOR USE WITHOUT AUTOMATIC DOOR OPERATOR, OR WITH CX-WC 10, 11, 12, 13 & 14 BARRIER-FREE RESTROOM CONTROL KIT.

- CM-450R/12FE 'EMERGENCY ASSISTANCE' MUSHROOM PUSH BUTTON
- CM-AF501SOFE LED ANNUNCIATOR WITH SOUNDER,
- CM-AF141SOFE DOME LIGHT WITH SOUNDER
- CM-SE21A ENG. WHITE PANEL SIGN AND CM- SE20A FR. WHITE PANEL SIGN 6" X 10 5/8" (152 X 270MM).

CX-WEC10K2 UNIVERSAL RESTROOM KIT WITH DOUBLE GANG SWITCH/ANNUNCIATOR COMBO. FOR USE WITHOUT AUTOMATIC DOOR OPERATOR, OR WITH CX-WC 10, 11, 12, 13 & 14 BARRIER-FREE RESTROOM CONTROL KIT.

- CM-AF540SO 'PRESS FOR EMERGENCY ASSISTANCE' MUSHROOM PUSH BUTTON AND LED ANNUNCIATOR WITH ADJUSTABLE SOUNDER (DOUBLE GANG),
- CM-AF141SO LED DOME LIGHT WITH ADJUSTABLE SOUNDER,
- CM-SE21A WHITE PANEL SIGN 6" X 10 5/8" (152MM X 270MM)

ADD SUFFIX 'F' TO MODEL NUMBER FOR FRENCH LANGUAGE.

CX-WEC11 UNIVERSAL RESTROOM KIT FOR USE WITH CX-WC15 BARRIER-FREE RESTROOM CONTROL KIT.

AS ABOVE WITHOUT CM-4150R/12 PUSH BUTTON.

- CM-450R/12 'PRESS FOR EMERGENCY ASSISTANCE' MUSHROOM PUSH BUTTON

ADD SUFFIX 'F' TO MODEL NUMBER FOR FRENCH LANGUAGE.

CX-WEC12 UNIVERSAL EMERGENCY CALL KIT WITH PUSH BUTTON RESET. FOR USE WITH MOMENTARY 'PRESS FOR EMERGENCY ASSISTANCE' SWITCHES (EXTRA)

- CM-AF501SO LED ANNUNCIATOR/SOUNDER
- CM-AF141SO DOME LIGHT/SOUNDER
- CM-SE21 WHITE PANEL SIGN
- CX-LRS 24V LATCHING RELAY ASSEMBLY
- CM-8010/13 MOMENTARY, 'PRESS TO RESET' 1" RED PUSH BUTTON.

ADD SUFFIX 'F' TO MODEL NUMBER FOR FRENCH LANGUAGE.

CX-WEC13 UNIVERSAL EMERGENCY CALL KIT WITH KEY SWITCH RESET. FOR USE WITH MOMENTARY 'PRESS FOR EMERGENCY ASSISTANCE' SWITCHES (EXTRA)

- CM-AF501SO LED ANNUNCIATOR/SOUNDER
- CM-AF141SO DOME LIGHT/SOUNDER
- CM-SE21 WHITE PANEL SIGN
- CX-LRS 24V LATCHING RELAY ASSEMBLY
- CM-1205/14 MOMENTARY, 'W/C SYSTEM RESET' KEY SWITCH AND
- CM-1000/60KD, KEY CYLINDER.

ADD SUFFIX 'F' TO MODEL NUMBER FOR FRENCH LANGUAGE.

IN THE EVENT OF AN EMERGENCY PUSH EMERGENCY BUTTON AND AUDIBLE AND VISUAL SIGNAL WILL ACTIVATE



CX-WEC10/10FE

IN THE EVENT OF AN EMERGENCY PUSH EMERGENCY BUTTON AND AUDIBLE AND VISUAL SIGNAL WILL ACTIVATE



CX-WEC10K2

IN THE EVENT OF AN EMERGENCY PUSH EMERGENCY BUTTON AND AUDIBLE AND VISUAL SIGNAL WILL ACTIVATE



CX-WEC11

IN THE EVENT OF AN EMERGENCY PUSH EMERGENCY BUTTON AND AUDIBLE AND VISUAL SIGNAL WILL ACTIVATE



CX-WEC12

IN THE EVENT OF AN EMERGENCY PUSH EMERGENCY BUTTON AND AUDIBLE AND VISUAL SIGNAL WILL ACTIVATE



CX-WEC13

EMERGENCY CALL SYSTEM FOR UNIVERSAL & BARRIER FREE RESTROOMS

COMPONENTS

- CM-450R/12:** MUSHROOM PUSH BUTTON, SINGLE GANG, STAINLESS STEEL FACEPLATE, PUSH/PULL, 'PRESS FOR EMERGENCY ASSISTANCE'.
ADD SUFFIX 'F' TO MODEL NUMBER FOR FRENCH LANGUAGE. "
- CM-AF14150:** SINGLE GANG LED DOME LIGHT WITH ADJUSTABLE SOUNDER AND 'ASSISTANCE REQUIRED' TEXT.
ADD SUFFIX 'F' TO MODEL NUMBER FOR FRENCH LANGUAGE.
ADD SUFFIX 'FE' TO MODEL NUMBER FOR ENGLISH & FRENCH BILINGUAL LANGUAGE.
- CM-AF50150:** SINGLE GANG LED ANNUNCIATOR WITH ADJUSTABLE SOUNDER AND 'ASSISTANCE REQUESTED' WHITE OUT TEXT. ADD SUFFIX 'F' TO MODEL NUMBER FOR FRENCH LANGUAGE.
- CM-AF54050:** DOUBLE GANG 'PRESS FOR EMERGENCY ASSISTANCE' PUSH BUTTON AND LED ANNUNCIATOR COMBINATION UNIT.
ADD SUFFIX 'F' TO MODEL NUMBER FOR FRENCH LANGUAGE.
- CM-SE21A:** ENGLISH, SOLID WHITE SIGN, 6"H X 10 5/8"W (152MM X 270MM). 'IN THE EVENT OF AN EMERGENCY PUSH EMERGENCY BUTTON AND AUDIBLE AND VISUAL SIGNAL WILL ACTIVATE'
- CX-LRS12:** 12V LATCHING RELAY ASSEMBLY FOR EM CALL SYSTEM USING MOMENTARY 'PRESS FOR EMERGENCY ASSISTANCE' SWITCHES
- CX-LRS24:** 24V LATCHING RELAY ASSEMBLY FOR EM CALL SYSTEM USING MOMENTARY 'PRESS FOR EMERGENCY ASSISTANCE' SWITCHES



CM-450R/12



CM-AF14050



CM-AF50150

OPTIONAL SIGNAGE

- CM-SE21B:** ENGLISH SIGN, WHITE SELF ADHESIVE VINYL, 6"H x 10 5/8"W (152MM x 270MM), 'IN THE EVENT OF AN EMERGENCY PUSH EMERGENCY BUTTON AND AUDIBLE AND VISUAL SIGNAL WILL ACTIVATE'
- CM-SF20A:** FRENCH, SOLID WHITE SIGN, 6"H x 10 5/8"W (152mm x 270mm) 'DANS LE CAS D'UNE URGENCE POUSSER LE BOUTON D'URGENCE POUR ACTIVER LE SIGNAL SONORE ET VISUEL'
- CM-SF20B:** FRENCH, WHITE VINYL SELF ADHESIVE SIGN, 6"H x 10 5/8"W (152mm x 270mm) 'DANS LE CAS D'UNE URGENCE POUSSER LE BOUTON D'URGENCE POUR ACTIVER LE SIGNAL SONORE ET VISUEL' POWER OPTION



CM-AF54050

POWER OPTIONAL

- CX-TRK-2450:** 24VAC, 40VA STANDARD MOUNT TRANSFORMER AND AC/DC RECTIFIER



CM-LRS-12

IN THE EVENT OF AN EMERGENCY
PUSH EMERGENCY BUTTON
AND AUDIBLE AND VISUAL SIGNAL
WILL ACTIVATE

CM-SE21A

DANS LE CAS D'UNE URGENCE
POUSSER LE BOUTON D'URGENCE
POUR ACTIVER LE SIGNAL
SONORE ET VISUEL

CM-SF20A