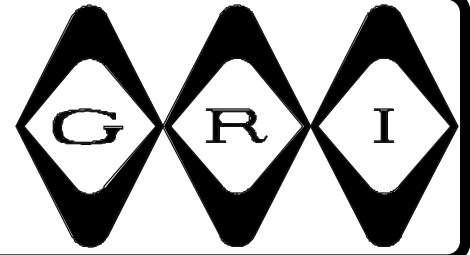


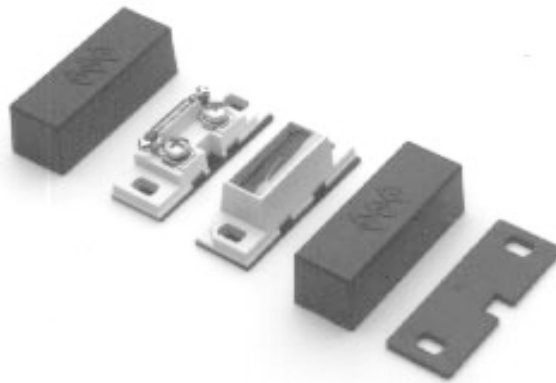
# MINIATURE SURFACE MOUNT SWITCH SET



## 129 SERIES



- ◆ Perfect For Residential and Light Commercial Applications
  - ◆ Small Size is 1/2" x 1/2" x 1 1/2"
  - ◆ Tamper Proof
  - ◆ Surface Mount Magnetic Contact
    - ◆ Screw Terminals
    - ◆ Hermetically Sealed
    - ◆ Plated Contacts Resist Sticking or Freezing
- ◆ Covers, Spacers and Mounting Hardware Included
  - ◆ Switches and Magnets Available Separately
    - ◆ Colors: White, Mahogany, Gray
    - ◆ Lifetime Warranty
    - ◆ Private Labeling Available



### PART NUMBERS:

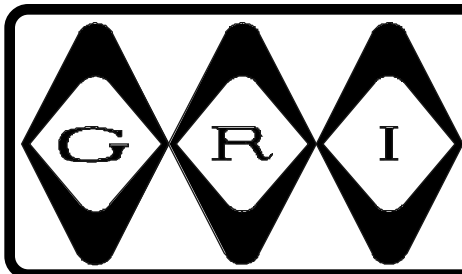
	<b>Closed Loop</b>	<b>Open Loop</b>
Standard Gap 1/2" +	129A	129B
Wide Gap 1" +	129AWG	129BWG

GEORGE RISK INDUSTRIES, INC.  
G.R.I. PLAZA  
KIMBALL, NE 69145



MADE IN U.S.A.

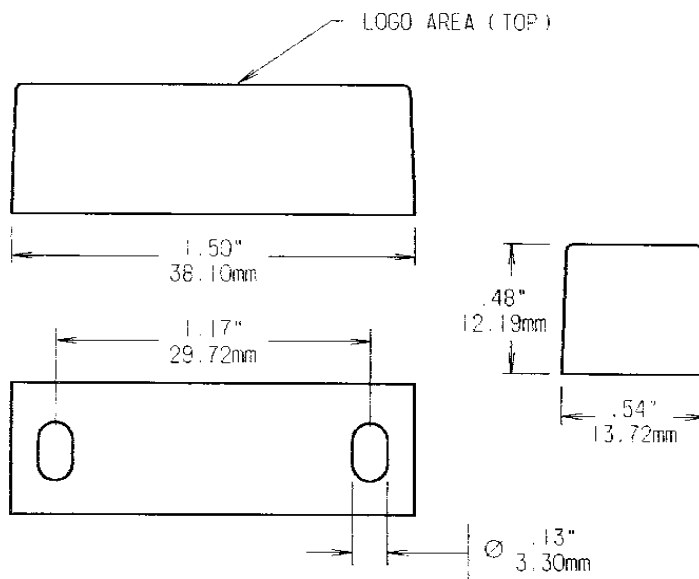
TOLL-FREE 1-800-445-5218  
TOLL-FREE 1-800-523-1227  
(308) 235-4645  
FAX (308) 235-3561  
E-MAIL: [grisales@megavision.com](mailto:grisales@megavision.com)  
WEB SITE: [www.grisk.com](http://www.grisk.com)



# MINIATURE SURFACE MOUNT SWITCH SET

## INSTALLATION APPLICATIONS:

The G.R.I. 129A style switch set is designed for those installations where a more aesthetic profile is required. The attractive snap-on cover makes the 129A perfect for residential and light commercial applications. The cover also comes with knockout points if the wiring requires surface mount, and the base is designed for taking the wire out directly into the wall if needed. Available in standard and wide gaps, White, Mahogany or Gray, the 129A set comes in closed and open loop with all mounting hardware included.



Switch and Magnet

## Minimum General Specifications:

PART NUMBER	LOOP TYPE	ELECTRICAL CONFIG.	REED FORM	MAXIMUM INITIAL CONTACT RESISTANCE (Ω)	MAXIMUM CONTACT RATING (W)	MAXIMUM SWITCHING VOLTAGE (VDC/VAC)	MAXIMUM SWITCHING CURRENT (A)
129A	CLOSED	N/O	A	.150	10	160/110	.400
129AWG	CLOSED	N/O	A	.150	10	160/110	.400
129B	OPEN	N/C	B	.140	5	175VDC	.250
129BWG	OPEN	N/C	B	.140	5	175VDC	.250

## WARRANTY:

Lifetime warranty against workmanship, material and factory defects.

**CONTACT YOUR G.R.I. DISTRIBUTOR OR CALL:**

GEORGE RISK INDUSTRIES, INC.  
G.R.I. PLAZA  
KIMBALL, NE 69145



MADE IN U.S.A.

TOLL-FREE 1-800-445-5218

TOLL-FREE 1-800-523-1227

(308) 235-4645

FAX (308) 235-3561

E-MAIL: [grisales@megavision.com](mailto:grisales@megavision.com)

WEB SITE: [www.grisk.com](http://www.grisk.com)