

FAP63TC-W

Shallow Mount FAP Strategy III Series Ceiling Loudspeaker



Features

- 70.7V/100V and 8Ω Operation
- Improved Waveguide Provides up to 130° Dispersion
- 4-Pole Detachable “Phoenix” Style Connector Allows Easy Pre-Wiring and is Designed for Daisy Chaining Additional Strategy Series Full Range Loudspeakers or Subwoofers
- Front Mounted Tap Selector Switch for Easy System Tuning
Adjustments Include Transformer Bypass Setting for 8Ω Direct Coupled Operation
- Easy Installation in Drop Tile or Sheetrock Ceilings Via C-Ring / V-Rail Tile Bridge (Included)
- Safety Listed to UL1480 and UL2043

Applications

AtlasIED's FAP63TC-W combines superior coaxial loudspeaker performance with even dispersion and easy installation. A low profile enclosure and wide coverage make the FAP63TC-W a perfect choice for low ceilings.

The FAP63TC-W will satisfy the needs of owners, architects, contractors, and consultants by delivering true, high fidelity sound reproduction in an attractive and easy-to-install system. The FAP63TC-W is ideal for high-intelligibility voice, music, and signal reproduction in commercial, industrial, and institutional applications.

General Description

The FAP63TC-W's 130° dispersion angle can reduce the number of loudspeakers necessary to achieve coverage in distributed systems with low ceilings. The loudspeaker component matches the performance of the AtlasIED FAP63T driver. High quality construction 6.5" coaxial cone type driver includes a 1" voice coil and high efficiency composite cone with polymer surround with a 20mm coaxially mounted silk dome tweeter. A high sensitivity of 90dB average means less power may be required to achieve the desired SPL.

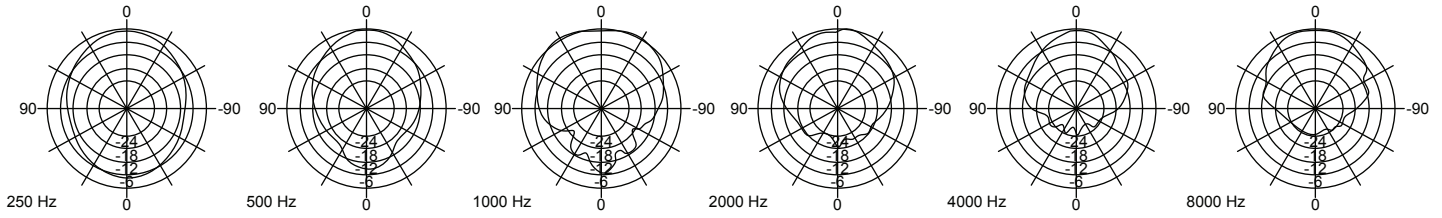
This loudspeaker is factory assembled in an optimally tuned enclosure and includes a specially designed 32-watt low saturation 70.7V / 100V transformer. A convenient front mounted selector switch allows tap selection without the need to remove the loudspeaker from the ceiling. This switch also includes a transformer bypass setting for 8Ω direct coupled operation.

The FAP63TC-W is housed in a specially designed enclosure that offers very shallow installation clearance, 3.81", without sacrificing sound quality making it perfect for installations where shallow mounting requirements prohibit installation of standard FAP63T-W loudspeakers.

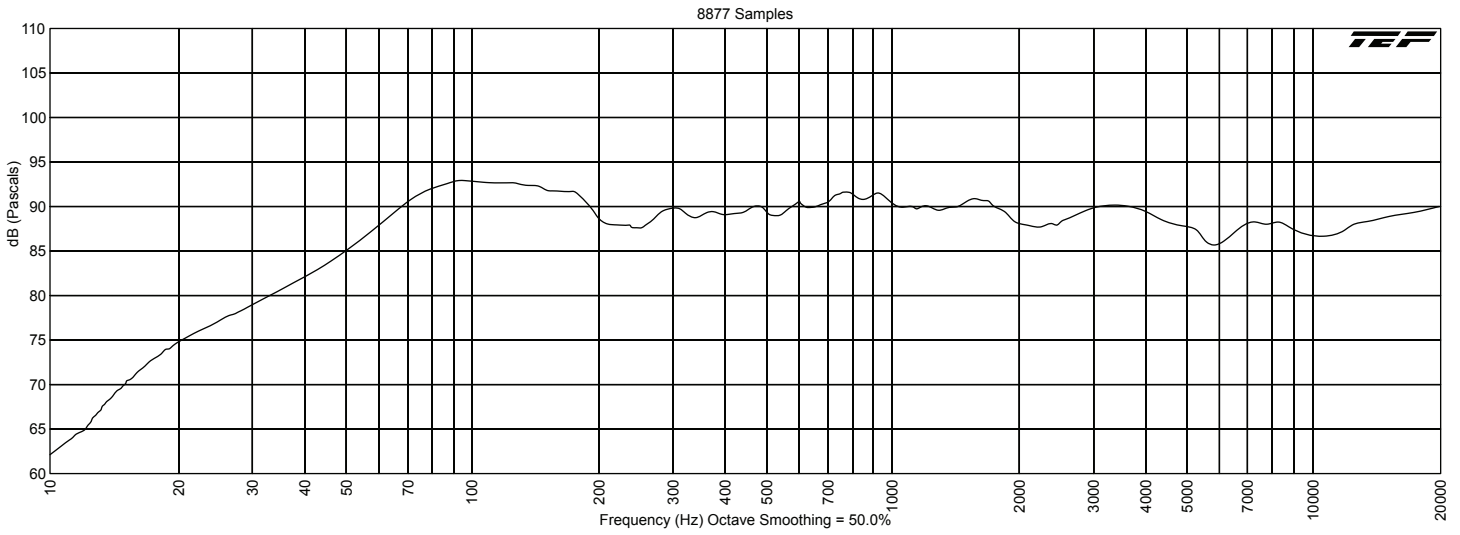
System	
Type	Two Way, Full Range, Coaxial Ceiling Loudspeaker
Operation Mode	Non-Powered Passive
Operating Range (-10dB)	70Hz
Frequency Response (+/- 5dB)	80Hz - 20kHz
Vertical Coverage	130° 800Hz - 4kHz
Horizontal Coverage	130° 800Hz - 4kHz
Max Input Ratings (8Ω)	75W Continuous, 24.5 Volts RMS
Transformer Taps - 70V	32W, 16W, 8W, 4W and Low Impedance (8Ω)
Transformer Taps - 100V	32W, 16W, 8W
Directivity Factor (Q)	7.62 @ 2kHz
Directivity Factor (DI)	8.82 @ 2kHz
Input Sensitivity at 1W/1m	90dB SPL
Max SPL at 1m (Passive)	108.5dB Continuous / 115dB Peak
Recommended Signal Processing	80Hz - 20kHz
Recommended Power Amplification	200W at 8Ω
Transducers	
LF Transducer Qty and Size	1 x 6.5"
LF Voice Coil Size	1"
MF Transducer Qty and Size	N/A
MF Voice Coil Size	N/A
HF Transducer Qty and Size	1 x 20mm Treated Silk Dome Tweeter
Maximum Output	108.5dB SPL / 115dB SPL (Peak 8Ω)
Nominal Impedance	8Ω
Minimum Impedance	7.1Ω @ 212Hz
Crossover Frequency	2.5kHz
Driver Protection	Polyswitch on Tweeter
Enclosure	
Color	White (RAL 9016)
Enclosure Material	Powder Painted CRS
Grille Material	Powder Coated CRS, White Finish (RAL9016), Paintable
Baffle Material	UL94V-0 PC
Input Connection	4-Position PHX Type Connector
Controls	Front-Face Power Taps / Low Impedance Selector Switch
Mounting / Rigging Provisions	4 Conventional Dog-Legs
Safety Features	1 Safety Hang Point
Safety Agency Ratings	UL Listed to UL1480, UL2043 and CSA C22.2. Suitable for Use in Air Handling Spaces per UL2043.
Ingress Protection	IP-21
Environmental Testing	Humidity: MIL-STD-810G / High and Low Temperature: -20° and 70° C
Cutout Diameter	11.9" (302.26mm)
Logo	White Removable
Product Dimensions (HxWxD)	12.96" (329.18mm) Diameter x 3.81" (96.77mm) Mounting Depth
Shipping Dimensions (HxWxD)	15" (380mm) x 33.75" (855mm) x 12" (305mm)
Net Weight - lbs	Unit w/ C-Ring = 8.75 lbs (3.98kg) 2V-rails = 2.24 lbs (1.02kg)
Shipping Weight - lbs	26.1 lbs (11.8kg) Shipped in Pairs
Warranty Coverage	
Warranty Period	5 Years

NOTES:

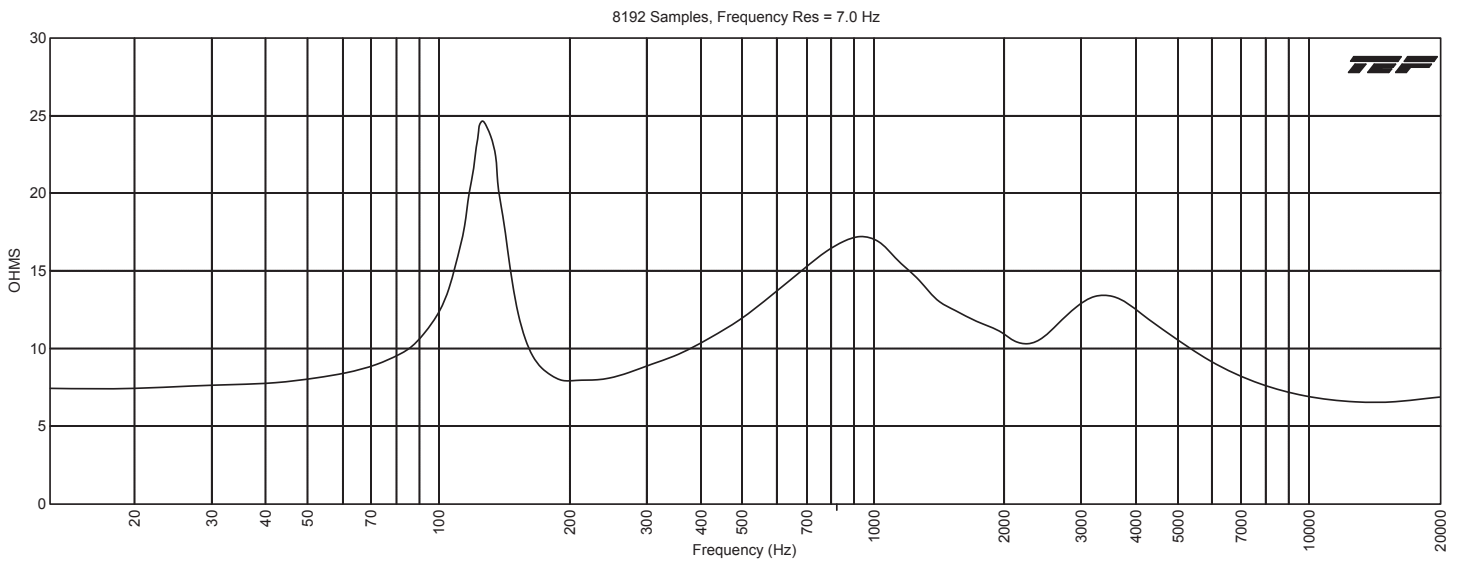
1. Sensitivity: Half space, 1 meter, 2.83 volts RMS.
2. Power: All power figures are calculated using the rated nominal impedance.
3. Frequency response and sensitivity are half-space measurements.



Frequency Response

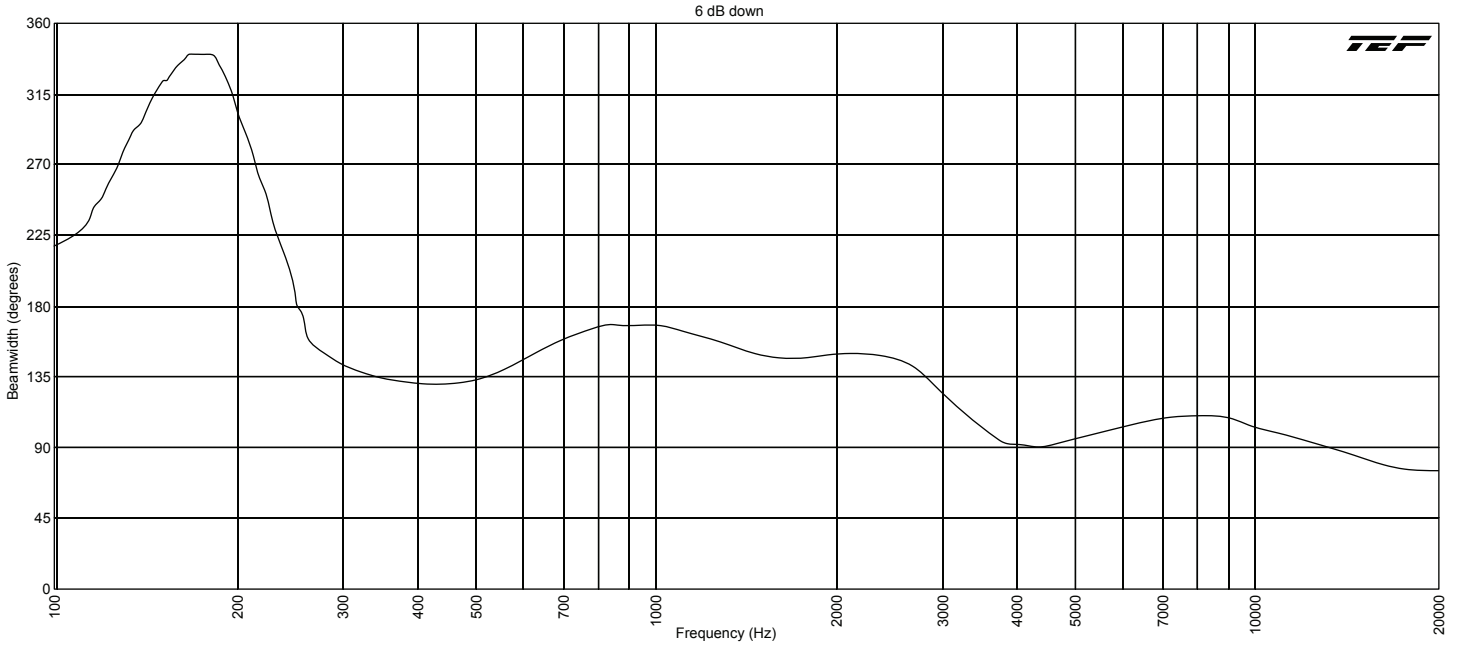


Impedance vs. Frequency Response



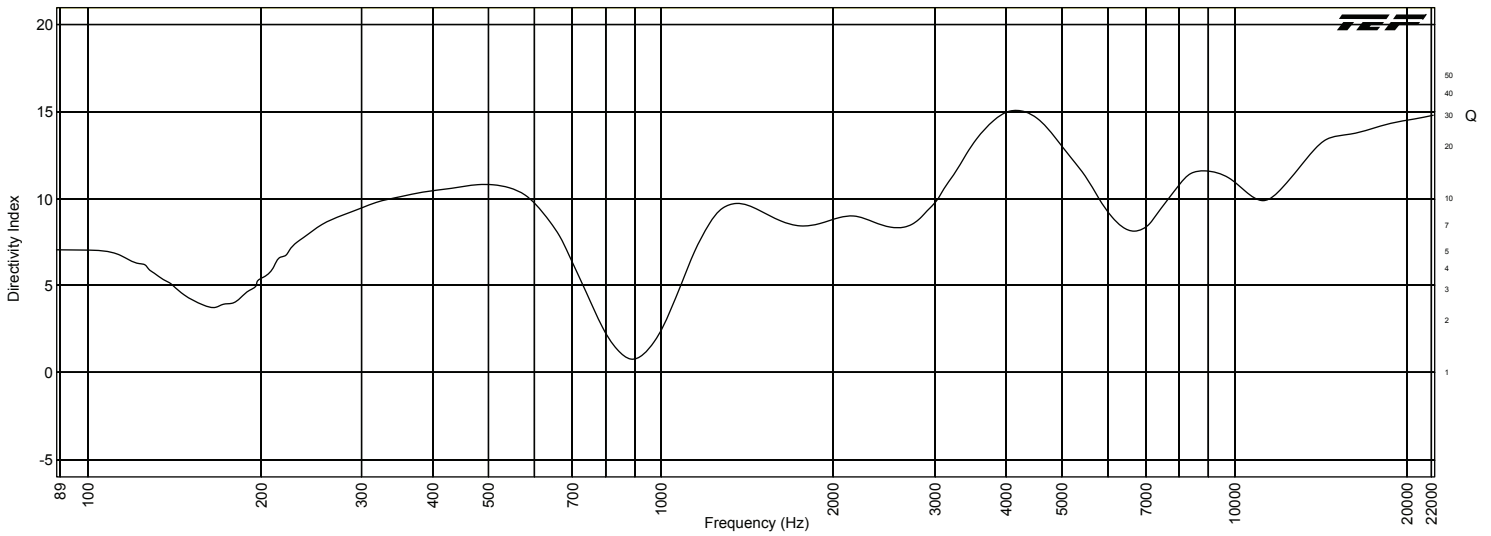
©2018 Atlas Sound LP. The Atlas "Circle A" Soundolier, and Atlas Sound are trademarks of Atlas Sound L.P. IED is a Registered Trademark of Innovative Electronic Designs LLC. All rights reserved. All other Trademarks are property of their respective owners. No endorsement is implied. Due to continual product development, specifications are subject to change without notice. ATSO05829 RevA 12/18

Beamwidth vs. Frequency Response



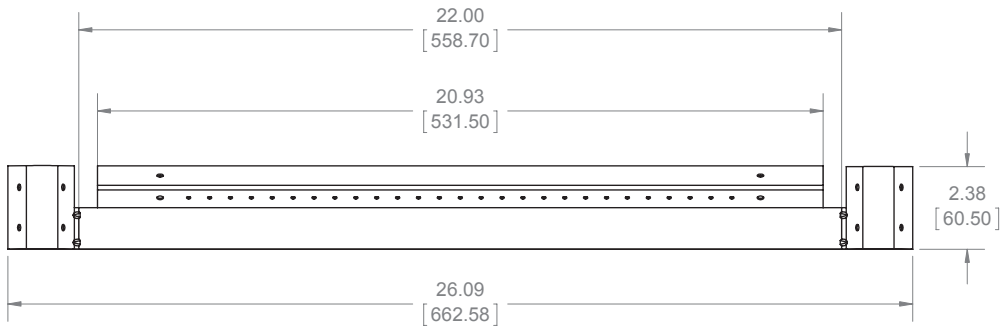
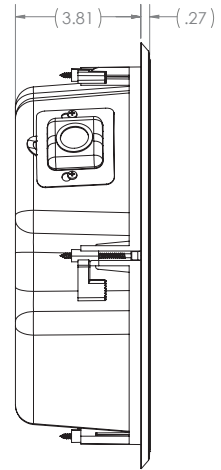
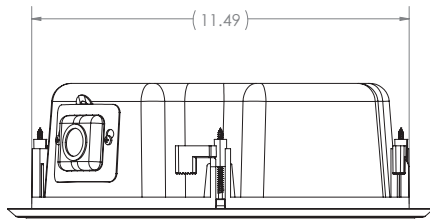
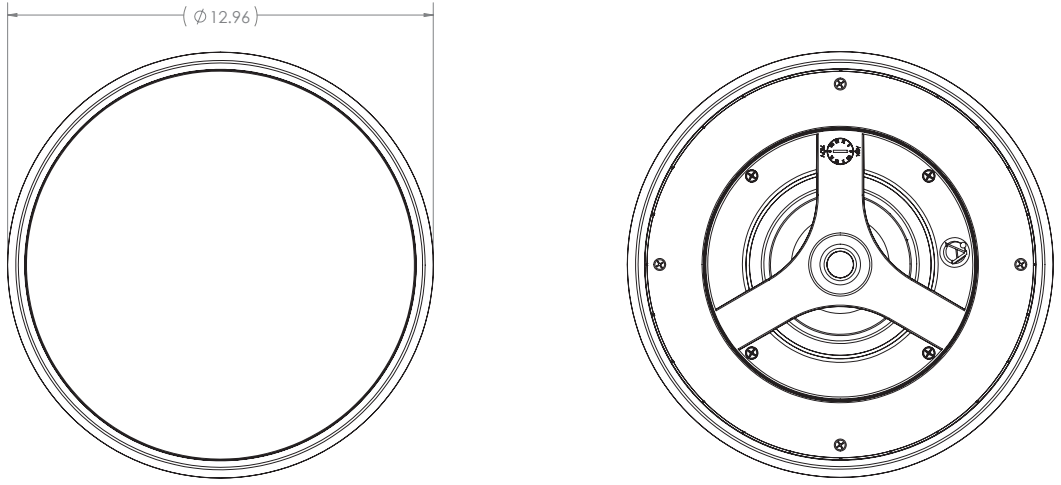
Directivity Index/Q vs. Frequency

FAP33T PLR SAM 5 072215 1W 2M



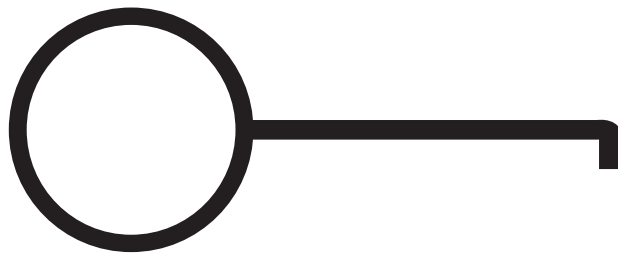
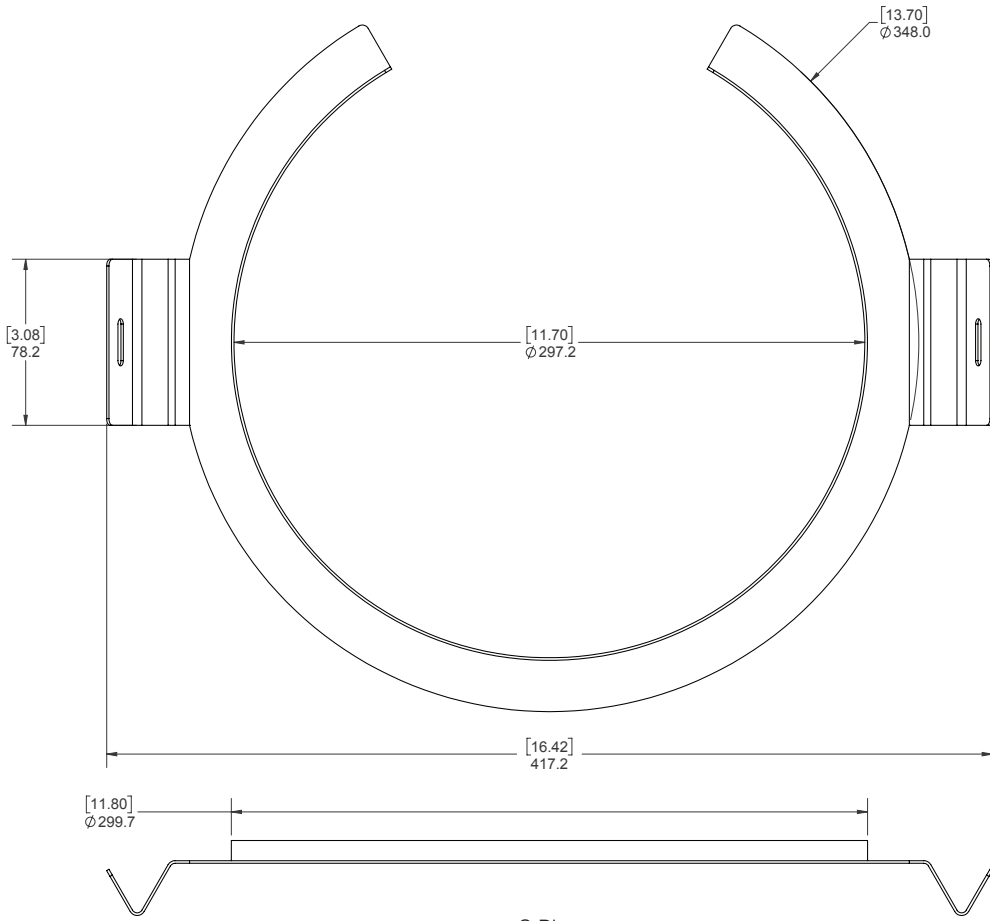
©2018 Atlas Sound LP. The Atlas "Circle A" Soundolier, and Atlas Sound are trademarks of Atlas Sound L.P. IED is a Registered Trademark of Innovative Electronic Designs LLC. All rights reserved. All other Trademarks are property of their respective owners. No endorsement is implied. Due to continual product development, specifications are subject to change without notice. ATSO05829 RevA 12/18

Dimensional Drawings



©2018 Atlas Sound LP. The Atlas "Circle A" Soundolier, and Atlas Sound are trademarks of Atlas Sound L.P. IED is a Registered Trademark of Innovative Electronic Designs LLC. All rights reserved. All other Trademarks are property of their respective owners. No endorsement is implied. Due to continual product development, specifications are subject to change without notice. ATSO05829 RevA 12/18

Included Accessories



Griller Puller

©2018 Atlas Sound LP. The Atlas "Circle A" Soundolier, and Atlas Sound are trademarks of Atlas Sound L.P. IED is a Registered Trademark of Innovative Electronic Designs LLC. All rights reserved. All other Trademarks are property of their respective owners. No endorsement is implied. Due to continual product development, specifications are subject to change without notice. ATISO05829 RevA 12/18

Architect and Engineer Specifications

The loudspeaker system shall be AtlasIED FAP63TC-W. System shall include a high performance 6.5" coaxial loudspeaker, enclosure, and press-fit grille for conventional ceiling installation. Frequency response for the system shall be 80Hz – 20kHz. Sensitivity shall be 90dB.

Loudspeaker shall be comprised of a 6.5" cone type driver. Cone shall be constructed of composite cone with polymer coated cloth surround. Magnet shall be a minimum of 10 oz (264 g) and the voice coil diameter shall be 1" (25 mm). The silk dome tweeter is 20mm and utilizes a Neodymium magnet. Transformer shall be a 70.7V / 100V type with 4, 8, 16, and 32 watt primary taps (@70.7V) with a front mounted tap selector switch to include transformer bypass setting for 8Ω direct coupled operation.

Enclosure shall be a steel enclosure design. Internal volume shall be 323in³. To facilitate connection in conduit systems, enclosure shall be equipped with an access panel covering a recessed terminal cup. This cover shall provide a top access compression fitting / strain relief to facilitate flexible conduit up to 1" (25mm inside diameter) conduit.

External wiring shall be accomplished via a removable PHX Euro-block wiring connector with screw-down terminals to provide both secure wire termination and pre-wiring capability before loudspeaker installation. The 4 pole locking connector shall facilitate in / out connections and shall be located in the recessed area behind the conduit access panel.

Seismic support eye shall be provided on top of enclosure for additional suspension point when used in drop tile ceilings. Construction of enclosure shall be a minimum of 18-gauge deep drawn painted metal.

The system shall include a support backing plate to reinforce the ceiling material and tile support rails for use on either 2' x 4' (609mm x 1219mm) or 2' x 2' (609mm x 609mm) suspended ceiling tiles. This assembly can all be installed from beneath the ceiling tile. Overall front face diameter shall not exceed 12.96" (329.18 mm); overall depth from the bottom of the ceiling shall not exceed 3.81" (96.77 mm). Grilles shall be press-fit, manufactured from 24-gauge perforated steel mesh and finished in white epoxy. Round grill shall be 11.49" (291.85mm) diameter.

Loudspeaker shall be safety listed to both UL1480 and UL2043 standards.

The loudspeaker shall be the AtlasIED FAP63TC-W.