

DTK-120HWLOK

Parallel Connected Surge Protective Device



DITEK's DTK-120HWLOK surge protective device is designed and manufactured to meet the standards of the life safety industry. This compact, parallel-mount SPD is widely used to protect fire alarm panels and other dedicated branch circuit loads. It's small footprint enables installation in a variety of locations. The DTK-120HWLOK includes an NFPA 72 2013 10.6.5.2 compatible lockout kit to prevent accidental disconnect of the fire alarm system.

Product Features

- Approved for 20A circuit breakers
- Diagnostic LED indicates ground presence, system power and SPD function
- NEMA 4X Weatherproof enclosure allows for use in harsh environments
- Complies with ANSI/IEEE C62.41 and C62.45 Category B standards
- Lockout kit prevents accidental disconnect of fire alarm system

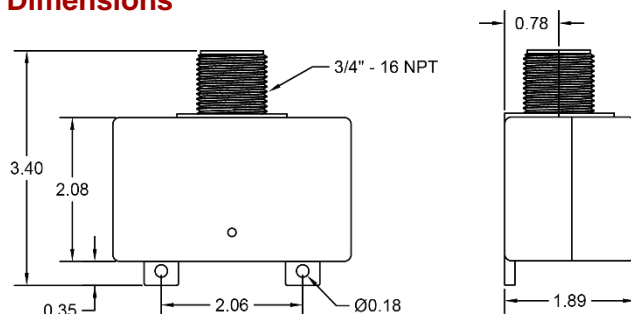
Applications

- Fire Alarm Control Panels
- Equipment Panel
- Dedicated Branch Circuit

Accessories

- DIN Rail Mounting Kit – DTK-DRK

Dimensions



Every precaution has been taken to ensure that this literature is accurate and complete. DITEK Corporation assumes no responsibility and disclaims all liability for damages resulting from the use of this information or for any errors or omissions.

Technical Specifications

Service Voltage:	Single Φ (2W + G) 120VAC
MCOV:	150V
Protection Modes:	L-G, L-N, N-G
Voltage Protection Rating:	700V L-G 700V L-N 1,500V N-G
Surge Current Rating:	50,000A
SCCR:	10kA
Nominal Discharge Current Rating (I_n):	10kA

Mechanical Characteristics

Connection Method:	3/4" NPT Parallel Wired
Housing:	NEMA 4X
Temperature Range:	-31°F - 104°F (-35°C - 40°C)
Maximum Humidity:	95% non-condensing
Dimensions:	3.5"L x 1.89"W x 3.4" H (88.9mm x 48.3mm x 86.4mm)
Weight:	0.55lb (25 kg)

Quality, Standards & Approval

Agency Approvals:	UL 1449 4 th Edition, cUL
SPD Type:	Type 1 SPD
Warranty:	Ten Year Limited